

2015



凯斯特姆

CUSTOMIZED HYDRAULIC



阜新凯斯特姆液压机械有限公司
Fuxin Customized Hydraulic Co., Ltd.



Company Introduction

Established in 2006, Fuxin Customized Hydraulic Co., Ltd. is a manufacturer specializing in hydraulic cylinders. We professionally produce, design and sell various hydraulic cylinders. You can easily find the cylinders that you wanted here.

Located in Fuxin High and New Technology Development District, Liaoning Province, Fuxin Custom covers an area of 12080 square meters. The main workshop is 9550 square meters. There are 86 employees. Among which, 35% are senior technical engineers.

Thanks to our professional manufacture, reliable quality, in time delivery and good warranty, our cylinder with brand "CUSTOM" enjoy a popular fame both in domestic and abroad. More than 90% of our products are selling well in international markets of US, Canada and so on.

There are more than 100 equipment, professional assembly line, painting line and quality control line in the shop. With these, Fuxin Custom offer the cylinders with good quality. We are the member of China Hydraulics & Pneumatic & Sealing Industrial Association and also pass the ISO9001:2000 quality system.

We manufacture a variety of hydraulic cylinders, including welding type, tie rod type, telescopic type and customized type. We put great efforts in develop and design of our cylinders, which enable us to better satisfy customers' needs. Also OEM and ODM orders are highly welcome.

Providing "Reliable Quality, Prompt Delivery, Good Service", we look forward to cooperation with different customers. Please feel free to contact us for more information.

Your visit or contact is warmly welcome!

阜新凯斯特姆液压机械有限公司成立于2006年，是一家专业从事液压缸研发，制造，销售的公司。

公司位于辽宁省阜新高新技术产业园区内，占地面积12080，建筑面积9550平方米，拥有员工86人，各类中高级专业技术人员占35%。

几年来，公司具备了专业的制造经验，卓越的产品品质，及时的交货和良好的售后服务，公司品牌“CUSTOM”畅销国内，同时出口美国，加拿大等，在国际市场享有盛誉。

公司拥有设备100余台，装配生产线，喷漆生产线，质量监控系统，确保产品优质可靠。公司是中国液压气动密封件工业协会会员单位，同时通过了ISO9001:2000质量体系认证。

公司产品涵盖焊接类和拉杆类以及多级液压缸，同时承接定制特殊类液压缸，以满足每位客户的需求。

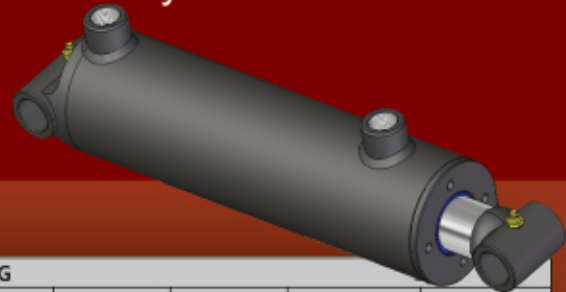
公司始终坚持“可靠的质量，及时的交货，优质的服务”的经营理念，全体员工将一如既往的以优质的产品为客户服务。

热诚欢迎各界朋友光临指导。

Welded Bushing • BU • 3000 PSI WP	4
Welded Female Clevis • CL • 3000 PSI WP	7
Welded Through Hole • WT3 • 3000 PSI WP	11
Adjustable Female Clevis • TCL • 3000 PSI WP	15
Agricultural • TR2.5 • 2500 PSI WP	19
Agricultural • TR3 • 3000 PSI WP	23
Inverted Telescopic Cylinders	27
Snow Plow Hydraulic Cylinders	28
Cylinder Components	29
Seal Kits	34



Utility Welded Hydraulic Cylinders 3000 PSI WP



WELDED BUSHING									
PART NUMBER	ROD DIAM.	WEIGHT (LBS)	BORE & STROKE	DIMENSIONS		PIN SIZE	PORTS	COLUMN LOAD(LBS)	PRESSURE (PSI)
				RETRACTED	EXTENDED				
BU1504	1"	8	1.5"X4"	12"	16"	3/4"	1/4NPT	5300	3000
BU1506		9	1.5"X6"	14"	20"			5300	3000
BU1508		10	1.5"X8"	16"	24"			5300	3000
BU1510		11	1.5"X10"	18"	28"			5300	3000
BU1512		13	1.5"X12"	20"	32"			5300	3000
BU1514		14	1.5"X14"	22"	36"			5300	3000
BU1516		15	1.5"X16"	24"	40"			5300	3000
BU1518		16	1.5"X18"	26"	44"			4800	2750
BU1520		18	1.5"X20"	28"	48"			4000	2300
BU1524		20	1.5"X24"	32"	56"			3000	1700
BU2004	1 1/4"	12	2"X4"	12"	16"	1"	3/8NPT	9400	3000
BU2006		13	2"X6"	14"	20"			9400	3000
BU2008		15	2"X8"	16"	24"			9400	3000
BU2010		17	2"X10"	18"	28"			9400	3000
BU2012		19	2"X12"	20"	32"			9400	3000
BU2014		20	2"X14"	22"	36"			9400	3000
BU2016		22	2"X16"	24"	40"			9400	3000
BU2018		24	2"X18"	26"	44"			9400	3000
BU2020		25	2"X20"	28"	48"			9400	3000
BU2024		29	2"X24"	32"	56"			7300	2300
BU2028		32	2"X28"	36"	64"			5600	1750
BU2030		34	2"X30"	38"	68"			4900	1550
BU2032		36	2"X32"	40"	72"			4400	1400
BU2036		39	2"X36"	44"	80"			3500	1100
BU2040	42	2"X40"	48"	88"	2900	900			
BU2048	49	2"X48"	56"	104"	2100	650			
BU2504	1 1/2"	16	2.5"X4"	12"	16"	1"	1/2NPT	14700	3000
BU2506		18	2.5"X6"	14"	20"			14700	3000
BU2508		20	2.5"X8"	16"	24"			14700	3000
BU2510		22	2.5"X10"	18"	28"			14700	3000
BU2512		25	2.5"X12"	20"	32"			14700	3000
BU2514		27	2.5"X14"	22"	36"			14700	3000
BU2516		29	2.5"X16"	24"	40"			14700	3000
BU2518		31	2.5"X18"	26"	44"			14700	3000
BU2520		34	2.5"X20"	28"	48"			14700	3000
BU2524		38	2.5"X24"	32"	56"			14700	3000
BU2528		43	2.5"X28"	36"	64"			11600	2350
BU2530		45	2.5"X30"	38"	68"			10300	2100
BU2532		47	2.5"X32"	40"	72"			9200	1850
BU2536		51	2.5"X36"	44"	80"			7400	1500
BU2540		56	2.5"X40"	48"	88"			6100	1250
BU2548		65	2.5"X48"	56"	104"			4400	850

NOTE: COLUMN LOAD=MAXIMUM PUSHING LOAD SUGGESTED WITH A MINIMUM SAFETY FACTOR OF 2
COLUMN LOAD DATA IS BASED ON A PIN TO PIN MOUNTING CALCULATION

Custom is not responsible for incorrect results obtained with figures in this document.
Information is for reference only. No other conditions are expressed or implied.



Utility Welded Hydraulic Cylinders 3000 PSI WP



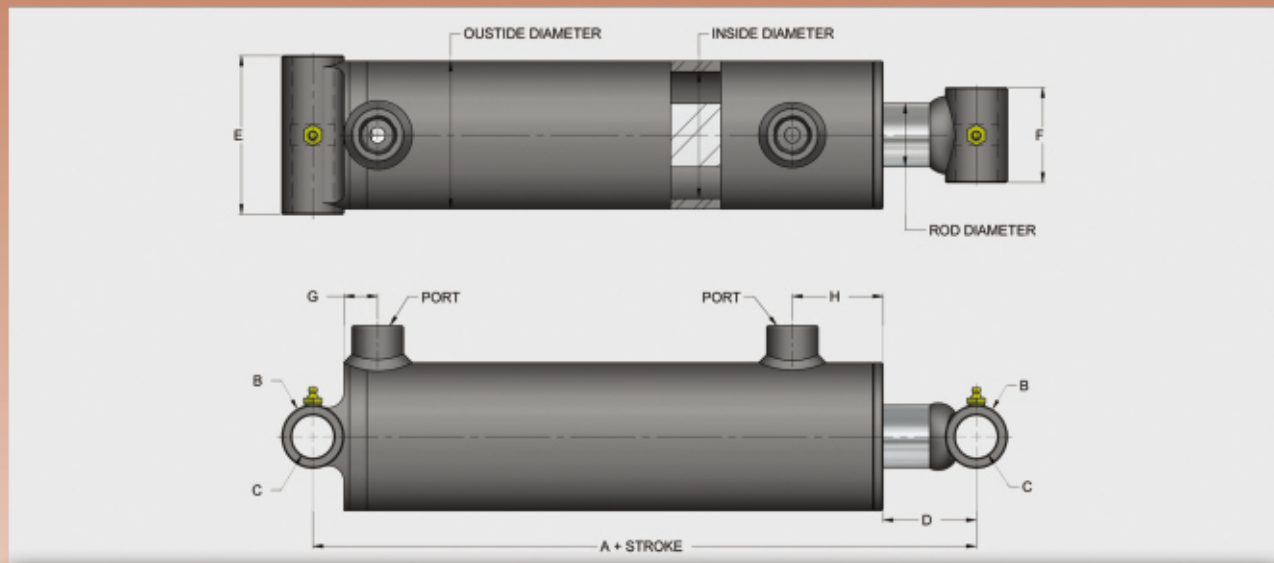
WELDED BUSHING									
PART NUMBER	ROD DIAM.	WEIGHT (LBS)	BORE & STROKE	DIMENSIONS		PIN SIZE	PORTS	COLUMN LOAD(LBS)	PRESSURE (PSI)
				RETRACTED	EXTENDED				
BU3004	1 1/2"	19	3"x4"	12"	16"	1"	1/2NPT	21200	3000
BU3006		22	3"x6"	14"	20"			21200	3000
BU3008		24	3"x8"	16"	24"			21200	3000
BU3010		27	3"x10"	18"	28"			21200	3000
BU3012		29	3"x12"	20"	32"			21200	3000
BU3014		32	3"x14"	22"	36"			21200	3000
BU3016		34	3"x16"	24"	40"			21200	3000
BU3018		36	3"x18"	26"	44"			21200	3000
BU3020		39	3"x20"	28"	48"			20700	2900
BU3024		44	3"x24"	32"	56"			15200	2150
BU3028		49	3"x28"	36"	64"			11600	1600
BU3030		51	3"x30"	38"	68"			10300	1450
BU3032		54	3"x32"	40"	72"			9200	1300
BU3036		59	3"x36"	44"	80"			7400	1050
BU3040		63	3"x40"	48"	88"			6100	850
BU3048		73	3"x48"	56"	104"			4400	600
BU3504	1 3/4"	27	3.5"x4"	14"	18"	1 1/4"	1/2NPT	2880	3000
BU3506		30	3.5"x6"	16"	22"			2880	3000
BU3508		33	3.5"x8"	18"	26"			2880	3000
BU3510		36	3.5"x10"	20"	30"			2880	3000
BU3512		39	3.5"x12"	22"	34"			2880	3000
BU3514		42	3.5"x14"	24"	38"			2880	3000
BU3516		45	3.5"x16"	26"	42"			2880	3000
BU3518		48	3.5"x18"	28"	46"			2880	3000
BU3520		51	3.5"x20"	30"	50"			2880	3000
BU3524		57	3.5"x24"	34"	58"			26200	2700
BU3528		64	3.5"x28"	38"	66"			20200	2100
BU3530		67	3.5"x30"	40"	70"			18000	1850
BU3532		70	3.5"x32"	42"	74"			16100	1650
BU3536		76	3.5"x36"	46"	82"			13100	1350
BU3540		82	3.5"x40"	50"	90"			10900	1100
BU3548		94	3.5"x48"	58"	106"			7800	800
BU4004	2"	34	4"x4"	14"	18"	1 1/2"	1/2NPT	37600	3000
BU4006		38	4"x6"	16"	22"			37600	3000
BU4008		41	4"x8"	18"	26"			37600	3000
BU4010		45	4"x10"	20"	30"			37600	3000
BU4012		49	4"x12"	22"	34"			37600	3000
BU4014		52	4"x14"	24"	38"			37600	3000
BU4016		56	4"x16"	26"	42"			37600	3000
BU4018		60	4"x18"	28"	46"			37600	3000
BU4020		63	4"x20"	30"	50"			37600	3000
BU4024		71	4"x24"	34"	58"			37600	3000
BU4028		78	4"x28"	38"	66"			34600	2750
BU4030		82	4"x30"	40"	70"			30700	2400
BU4032		85	4"x32"	42"	74"			27500	2150
BU4036		93	4"x36"	46"	82"			22400	1750
BU4040		100	4"x40"	50"	90"			18600	1450
BU4048		115	4"x48"	58"	106"			13400	1050

NOTE: COLUMN LOAD=MAXIMUM PUSHING LOAD SUGGESTED WITH A MINIMUM SAFETY FACTOR OF 2
 COLUMN LOAD DATA IS BASED ON A PIN TO PIN MOUNTING CALCULATION
 Custom is not responsible for incorrect results obtained with figures in this document.
 Information is for reference only.No other conditions are expressed or implied.

Utility Welded Hydraulic Cylinders 3000 PSI WP

WELDED BUSHING									
PART NUMBER	ROD DIAM.	WEIGHT (LBS)	BORE & STROKE	DIMENSIONS		PIN SIZE	PORTS	COLUMN LOAD (LBS)	PRESSURE (PSI)
				RETRACTED	EXTENDED				
BU5004	2 1/2"	65	5"X4"	16"	20"	*1 3/4"	SAE#12	58900	3000
BU5006		70	5"X6"	18"	24"			58900	3000
BU5008		75	5"X8"	20"	28"			58900	3000
BU5010		80	5"X10"	22"	32"			58900	3000
BU5012		85	5"X12"	24"	36"			58900	3000
BU5014		90	5"X14"	26"	40"			58900	3000
BU5016		96	5"X16"	28"	44"			58900	3000
BU5018		101	5"X18"	30"	48"			58900	3000
BU5020		106	5"X20"	32"	52"			58900	3000
BU5024		116	5"X24"	36"	60"			58900	3000
BU5028		126	5"X28"	40"	68"			58900	3000
BU5030		131	5"X30"	42"	72"			58900	3000
BU5032		137	5"X32"	44"	76"			58900	3000
BU5036		147	5"X36"	48"	84"			52100	2650
BU5040		157	5"X40"	52"	92"			43400	2200
BU5048		178	5"X48"	60"	108"			31500	1600

NOTE: COLUMN LOAD = MAXIMUM PUSHING LOAD SUGGESTED WITH A MINIMUM SAFETY FACTOR OF 2
COLUMN LOAD DATA IS BASED ON A PIN TO PIN MOUNTING CALCULATION

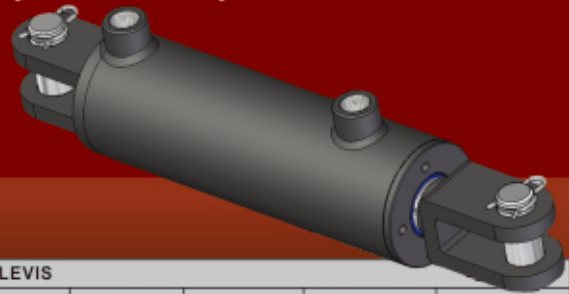


PART NUMBER	INSIDE DIAMETER	OUTSIDE DIAMETER	A	B	C	D	E	F	G	H	ROD DIAMETER	PORT
BU15-	1.50"	2.00"	8.00"	1.25"	0.76"	2.62"	2.25"	2.00"	1.06"	1.87"	1.00"	1/4NPT
BU20-	2.00"	2.50"	8.00"	1.50"	1.01"	2.25"	2.75"	2.25"	1.00"	2.06"	1.25"	3/8NPT
BU25-	2.50"	3.00"	8.00"	1.50"	1.01"	2.25"	3.25"	2.25"	0.81"	2.18"	1.50"	1/2NPT
BU30-	3.00"	3.50"	8.00"	1.50"	1.01"	2.25"	3.75"	2.25"	0.81"	2.18"	1.50"	1/2NPT
BU35-	3.50"	4.00"	10.00"	2.00"	1.26"	4.00"	4.25"	2.25"	0.81"	2.18"	1.75"	1/2NPT
BU40-	4.00"	4.50"	10.00"	2.25"	1.51"	3.75"	4.75"	2.50"	0.81"	2.18"	2.00"	1/2NPT
BU50-	5.00"	5.50"	12.00"	3.00"	+1.76"	3.50"	5.75"	3.25"	1.25"	2.75"	2.50"	SAE#12

*FOR 5.00" BORE: 2.00" PINS ARE AVAILABLE WITH REMOVABLE BUSHING FOR 1.50" TO 4.00" BORE SAE PORTS ARE AVAILABLE
SEAL TEMPERATURE RANGE: -30°C/+100°C (-22°F/+212°F)
SEAL MAXIMUM SPEED: 3 FT/SEC
MAXIMUM RETRACTED WORKING PRESSURE-3000 PSI
MAXIMUM EXTENDED WORKING PRESSURE-SEE COLUMN LOAD
RETRACTED AND STROKE TOLERANCE ± 1/8"

Custom is not responsible for incorrect results obtained with figures in this document.
Information is for reference only. No other conditions are expressed or implied.

Utility Welded Hydraulic Cylinders 3000 PSI WP



WELDED FEMALE CLEVIS									
PART NUMBER	ROD DIAM.	WEIGHT (LBS)	BORE & STROKE	DIMENSIONS		PIN SIZE	PORTS	COLUMN LOAD(LBS)	PRESSURE (LBS)
				RETRACTED	EXTENDED				
CL1504	1"	8	1.5"X4"	12 1/4"	16 1/4"	3/4"	1/4 NPT	5300	3000
CL1506		9	1.5"X6"	14 1/4"	20 1/4"			5300	3000
CL1508		11	1.5"X8"	16 1/4"	24 1/4"			5300	3000
CL1510		12	1.5"X10"	18 1/4"	28 1/4"			5300	3000
CL1512		13	1.5"X12"	20 1/4"	32 1/4"			5300	3000
CL1514		14	1.5"X14"	22 1/4"	36 1/4"			5300	3000
CL1516		15	1.5"X16"	24 1/4"	40 1/4"			5300	3000
CL1518		17	1.5"X18"	26 1/4"	44 1/4"			4800	2700
CL1520		18	1.5"X20"	28 1/4"	48 1/4"			4000	2250
CL1524		20	1.5"X24"	32 1/4"	56 1/4"			2900	1650
CL2004		1 1/4"	14	2"X4"	14 1/4"			18 1/4"	1"
CL2006	16		2"X6"	16 1/4"	22 1/4"	9400	3000		
CL2008	18		2"X8"	20 1/4"	28 1/4"	9400	3000		
CL2010	19		2"X10"	20 1/4"	30 1/4"	9400	3000		
CL2012	21		2"X12"	22 1/4"	34 1/4"	9400	3000		
CL2014	23		2"X14"	24 1/4"	38 1/4"	9400	3000		
CL2016	25		2"X16"	26 1/4"	42 1/4"	9400	3000		
CL2018	26		2"X18"	28 1/4"	46 1/4"	9400	3000		
CL2020	28		2"X20"	30 1/4"	50 1/4"	9100	2900		
CL2024	31		2"X24"	34 1/4"	58 1/4"	6700	2150		
CL2028	35		2"X28"	38 1/4"	66 1/4"	5200	1650		
CL2030	36		2"X30"	40 1/4"	70 1/4"	4600	1450		
CL2032	38		2"X32"	42 1/4"	74 1/4"	4100	1300		
CL2034	40		2"X34"	44 1/4"	78 1/4"	3700	1150		
CL2036	42		2"X36"	46 1/4"	82 1/4"	3400	1050		
CL2040	45		2"X40"	40 1/4"	90 1/4"	2800	850		
CL2048	52		2"X48"	58 1/4"	106 1/4"	2000	600		
CL2504	1 1/2"	18	2.5"X4"	14 1/4"	18 1/4"	1"	1/2 NPT	14700	3000
CL2506		20	2.5"X6"	16 1/4"	22 1/4"			14700	3000
CL2508		24	2.5"X8"	20 1/4"	28 1/4"			14700	3000
CL2510		25	2.5"X10"	20 1/4"	30 1/4"			14700	3000
CL2512		27	2.5"X12"	22 1/4"	34 1/4"			14700	3000
CL2514		29	2.5"X14"	24 1/4"	38 1/4"			14700	3000
CL2516		32	2.5"X16"	26 1/4"	42 1/4"			14700	3000
CL2518		34	2.5"X18"	28 1/4"	46 1/4"			14700	3000
CL2520		36	2.5"X20"	30 1/4"	50 1/4"			14700	3000
CL2524		40	2.5"X24"	34 1/4"	58 1/4"			14000	2850
CL2528		45	2.5"X28"	38 1/4"	66 1/4"			10800	2200
CL2530		47	2.5"X30"	40 1/4"	70 1/4"			9600	1950
CL2532		49	2.5"X32"	42 1/4"	74 1/4"			8600	1750
CL2534		52	2.5"X34"	44 1/4"	78 1/4"			7700	1550
CL2536		54	2.5"X36"	46 1/4"	82 1/4"			7000	1400
CL2540		58	2.5"X40"	50 1/4"	90 1/4"			5800	1150
CL2548		67	2.5"X48"	58 1/4"	106 1/4"			4200	850

NOTE: COLUMN LOAD=MAXIMUM PUSHING LOAD SUGGESTED WITH A MINIMUM SAFETY FACTOR OF 2
COLUMN LOAD DATA IS BASED ON A PIN TO PIN MOUNTING CALCULATION

Custom is not responsible for incorrect results obtained with figures in this document.
Information is for reference only. No other conditions are expressed or implied.

Utility Welded Hydraulic Cylinders 3000 PSI WP



WELDED FEMALE CLEVIS												
PART NUMBER	ROD DIAM.	WEIGHT (LBS)	BORE & STROKE	DIMENSIONS		PIN SIZE	PORTS	COLUMN LOAD(LBS)	PRESSURE (LBS)			
				RETRACTED	EXTENDED							
CL3004	1 1/2"	22	3"X4"	14 1/4"	18 1/4"	1"	1/2 NPT	21200	3000			
CL3006		24	3"X6"	16 1/4"	22 1/4"			21200	3000			
CL3008		27	3"X8"	20 1/4"	28 1/4"			21200	3000			
CL3010		29	3"X10"	20 1/4"	30 1/4"			21200	3000			
CL3012		31	3"X12"	22 1/4"	34 1/4"			21200	3000			
CL3014		34	3"X14"	24 1/4"	38 1/4"			21200	3000			
CL3016		36	3"X16"	26 1/4"	42 1/4"			21200	3000			
CL3018		39	3"X18"	28 1/4"	46 1/4"			21200	3000			
CL3020		41	3" X20"	30 1/4"	50 1/4"			18800	2650			
CL3024		46	3"X24"	34 1/4"	58 1/4"			14000	1950			
CL3028		51	3" X28"	38 1/4"	66 1/4"			10800	1500			
CL3030		53	3" X30"	40 1/4"	70 1/4"			9600	1350			
CL3032		56	3"X32"	42 1/4"	74 1/4"			8600	1200			
CL3034		58	3"X34"	44 1/4"	78 1/4"			7700	1100			
CL3036		61	3"X36"	46 1/4"	82 1/4"			7000	950			
CL3040		66	3"X40"	50 1/4"	90 1/4"			5800	800			
CL3048		75	3"X48"	58 1/4"	106 1/4"			4200	550			
CL3504		1 3/4"	27	3.5"X4"	14 1/4"			18 1/4"	1"	1/2 MPT	28800	3000
CL3506			30	3.5"X6"	16 1/4"			22 1/4"			28800	3000
CL3508			35	3.5"X8"	20 1/4"			28 1/4"			28800	3000
CL3510	36		3.5X10"	20 1/4"	30 1/4"	28800	3000					
CL3512	39		3.5"X12"	22 1/4"	34 1/4"	28800	3000					
CL3514	42		3.5"X14"	24 1/4"	38 1/4"	28800	3000					
CL3516	46		3.5"X16"	26 1/4"	42 1/4"	28800	3000					
CL3518	49		3.5"X18"	28 1/4"	46 1/4"	28800	3000					
CL3520	52		3.5"X20"	30 1/4"	50 1/4"	28800	3000					
CL3524	58		3.5"X24"	34 1/4"	58 1/4"	26000	2700					
CL3528	64		3.5"X28"	38 1/4"	66 1/4"	20100	2050					
CL3530	67		3.5"X30"	40 1/4"	70 1/4"	17900	1850					
CL3532	70		3.5"X32"	42 1/4"	74 1/4"	16000	1650					
CL3534	73		3.5"X34"	44 1/4"	78 1/4"	14400	1500					
CL3536	76		3.5"X36"	46 1/4"	82 1/4"	13000	1350					
CL3540	82		3.5"X40"	50 1/4"	90 1/4"	10800	1100					
CL3548	94		3.5"X48"	58 1/4"	106 1/4"	7800	800					
CL4004	2"		33	4"X4"	14 1/4"	18 1/4"	1"	1/2 NPT			37600	3000
CL4006			37	4"X6"	16 1/4"	22 1/4"					37600	3000
CL4008			42	4"X8"	20 1/4"	28 1/4"					37600	3000
CL4010		44	4"X10"	20 1/4"	30 1/4"	37600			3000			
CL4012		48	4"X12"	22 1/4"	34 1/4"	37600			3000			
CL4014		52	4"X14"	24 1/4"	38 1/4"	37600			3000			
CL4016		55	4"X16"	26 1/4"	42 1/4"	37600			3000			
CL4018		59	4"X18"	28 1/4"	46 1/4"	37600			3000			
CL4020		63	4"X20"	30 1/4"	50 1/4"	37600			3000			
CL4024		70	4"X24"	34 1/4"	58 1/4"	37600			3000			
CL4028		77	4"X28"	38 1/4"	66 1/4"	34300			2700			
CL4030		81	4"X30"	40 1/4"	70 1/4"	30500			2400			
CL4032		85	4"X32"	42 1/4"	74 1/4"	27300			2150			
CL4034		89	4"X34"	44 1/4"	78 1/4"	24600			1950			
CL4036		92	4"X36"	46 1/4"	82 1/4"	22200			1750			
CL4040		100	4"X40"	50 1/4"	90 1/4"	18500			1450			
CL4048		114	4"X48"	58 1/4"	106 1/4"	13300			1050			

NOTE: COLUMN LOAD=MAXIMUM PUSHING LOAD SUGGESTED WITH A MINIMUM SAFETY FACTOR OF 2

COLUMN LOAD DATA IS BASED ON A PIN TO PIN MOUNTING CALCULATION

Custom is not responsible for incorrect results obtained with figures in this document.

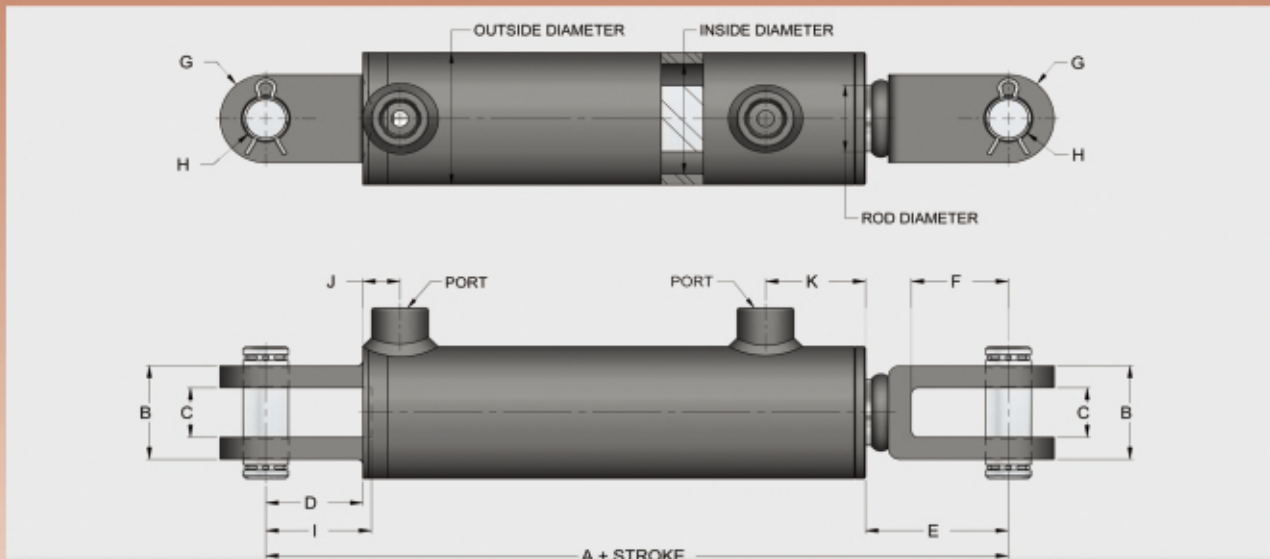
Information is for reference only.No other conditions are expressed or implied.



Utility Welded Hydraulic Cylinders 3000 PSI WP

WELDED FEMALE CLEVIS									
PART NUMBER	ROD DIAM.	WEIGHT (LBS)	BORE & STROKE	DIMENSIONS		PIN SIZE	PORTS	COLUMN LOAD(LBS)	PRESSURE (PSI)
				RETRACTED	EXTENDED				
CL5004	2 1/2"	64	5"X4"	17"	21"	1 1/2"	SAE #12	58900	3000
CI5008		69	5"X6"	19"	25"			58900	3000
CI5008		74	5"X8"	21"	29"			58900	3000
CI5010		79	5"X10"	23"	33"			58900	3000
CI5012		84	5"X12"	25"	37"			58900	3000
CI5014		89	5"X14"	27"	41"			58900	3000
CI5016		95	5"X16"	29"	45"			58900	3000
CI5018		100	5"X18"	31"	49"			58900	3000
CI5020		105	5"X20"	33"	53"			58900	3000
CI5024		115	5"X24"	37"	61"			58900	3000
CI5028		125	5"X28"	41"	69"			58900	3000
CI5030		130	5"X30"	43"	73"			58900	3000
CI5032		136	5"X32"	45"	77"			58900	3000
CI5034		141	5"X34"	47"	81"			56100	2850
CI5036		146	5"X36"	49"	85"			50900	2550
CI5040		156	5"X40"	53"	93"			42500	2150
CI5048		177	5"X48"	61"	109"			30900	1550

NOTE: COLUMN LOAD=MAXIMUM PUSHING LOAD SUGGESTED WITH A MINIMUM SAFETY FACTOR OF 2
COLUMN LOAD DATA IS BASED ON A PIN TO PIN MOUNTING CALCULATION

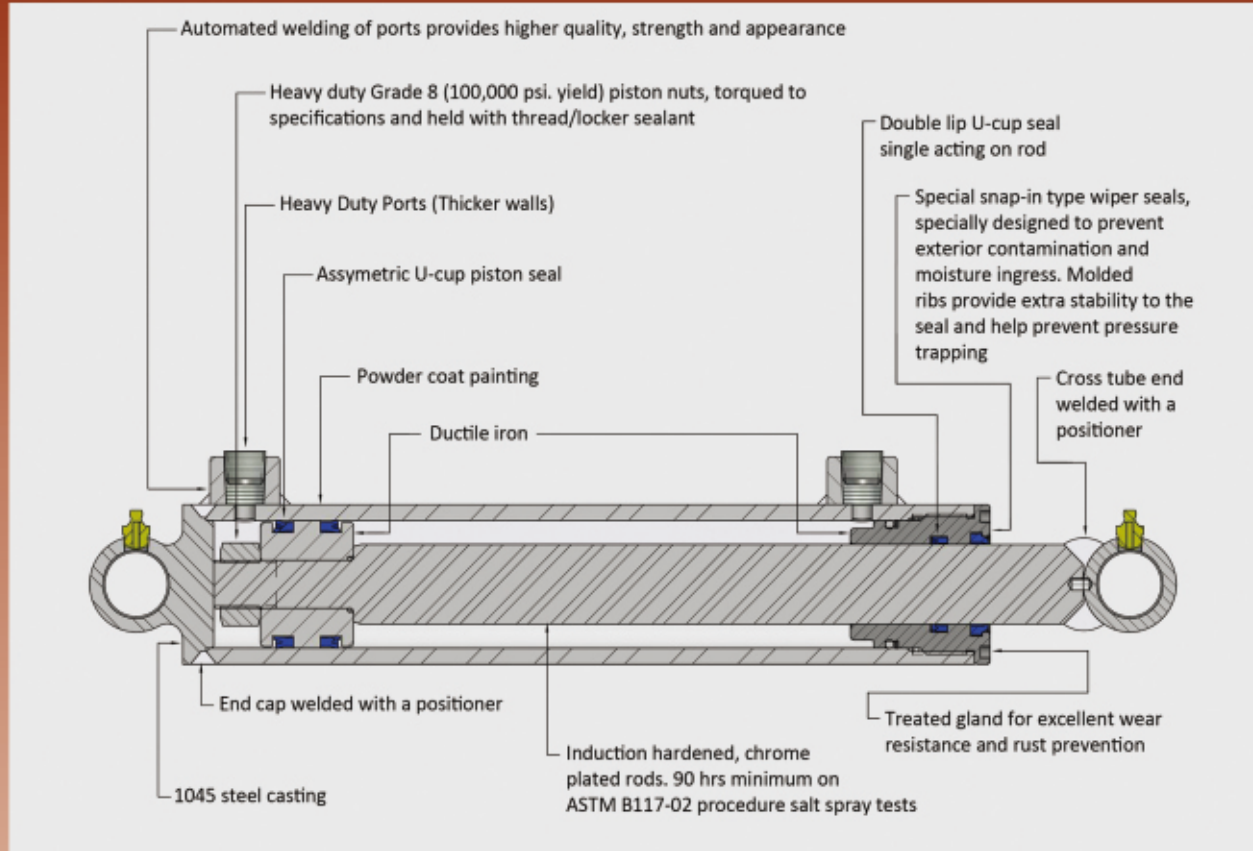


PART NUMBER	INSIDE DIAMETER	OUTSIDE DIAMETER	*A	B	C	D	*E	F	G	H	I	J	K	ROD DIAMETER	PORT
CI15-	1.50"	2.00"	8.25"	1.62"	0.87"	1.37"	2.25"	1.37"	1.50"	0.76"	NONE	0.93"	1.87"	1.00"	1/4 NPT
CI20-	2.00"	2.50"	10.25"	2.12"	1.12"	2.12"	3.12"	2.12"	2.00"	1.01"	NONE	1.00"	2.06"	1.25"	3/8 NPT
CI25-	2.50"	3.00"	10.25"	2.12"	1.12"	2.12"	3.12"	2.12"	2.00"	1.01"	NONE	0.81"	2.18"	1.50"	1/2 NPT
CI30-	3.0"	3.50"	10.25"	2.12"	1.12"	2.12"	3.12"	2.12"	2.00"	1.01"	NONE	0.81"	2.18"	1.50"	1/2 NPT
CI35-	3.50"	4.00"	10.25"	2.37"	1.12"	2.00"	3.12"	2.12"	2.00"	1.01"	2.12"	0.93"	2.18"	1.75"	1/2 NPT
CI40-	4.00"	4.50"	10.25"	2.37"	1.12"	1.75"	3.12"	2.00"	2.00"	1.01"	2.00"	1.06"	2.18"	2.00"	1/2 NPT
CI50-	5.00"	5.50"	13.00"	3.12"	1.62"	2.25"	3.62"	2.25"	3.00"	1.51"	NONE	1.37"	2.75"	2.50"	SAE #12

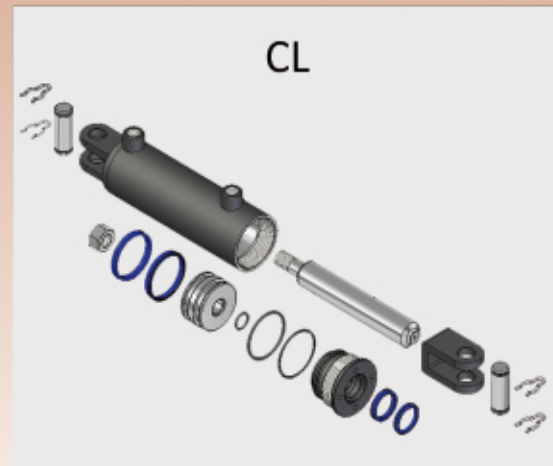
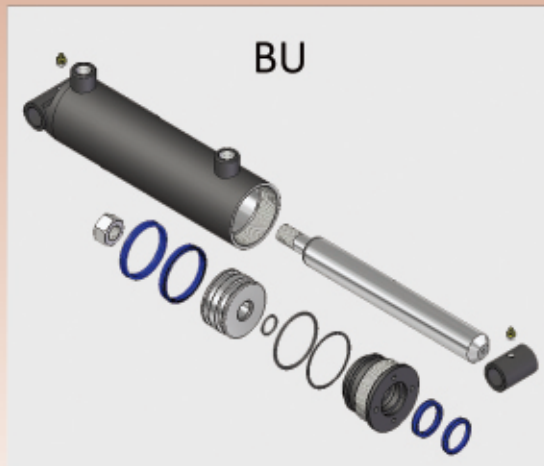
*FOR 8.00"STROKE:*A=12.25"(2.00"TO4.00"BORE)
 *FOR 8.00"STROKE:*E=5.12"(2.00"TO4.00"BORE)
 FOR 1.50"TO 4.00"BORE SAE PORTS ARE AVAILABLE
 SEAL TEMPERATURE RANGE:-30°C/+100°C (-22°F/+212°F)
 SEAL MAXIMUM SPEED:3 FT/SEC
 MAXIMUM RETRACTED WORKING PRESSURE-3000 PSI
 MAXIMUM EXTENDED WORKING PRESSURE-SEE COLUMN LOAD
 RETRACTED AND STROKE TOLERANCE±1/8"

Custom is not responsible for incorrect results obtained with figures in this document.
 Information is for reference only.No other conditions are expressed or implied.

Utility Welded Hydraulic Cylinders 3000 PSI WP



100% tested. All cylinders are submitted to static and dynamic pressure tests to recommended specifications



Custom is not responsible for incorrect results obtained with figures in this document.
Information is for reference only. No other conditions are expressed or implied.



Utility Welded Hydraulic Cylinders 3000 PSI WP



WELDED THROUGH HOLE									
PART NUMBER	ROD DIAM.	WEIGHT (LBS)	BORE & STROKE	DIMENSIONS		PIN SIZE	PORTS	COLUMN LOAD(LBS)	PRESSURE (PSI)
				RETRACTED	EXTENDED				
WT3-1504	1"	7	1.5"X4"	11"	15"	5/8"	SAE #6	5300	3000
WT3-1506		8	1.5"X6"	13"	19"			5300	3000
WT3-1508		9	1.5"X8"	15"	23"			5300	3000
WT3-1510		11	1.5"X10"	17"	27"			5300	3000
WT3-1512		12	1.5"X12"	19"	31"			5300	3000
WT3-1514		13	1.5"X14"	21"	35"			5300	3000
WT3-1516		14	1.5"X16"	23"	39"			5300	3000
WT3-2004		1 1/4"	10	2"X4"	12"			16"	3/4"
WT3-2006	12		2"X6"	14"	20"	9400	3000		
WT3-2008	14		2"X8"	16"	24"	9400	3000		
WT3-2010	16		2"X10"	18"	28"	9400	3000		
WT3-2012	17		2"X12"	20"	32"	9400	3000		
WT3-2014	19		2"X14"	22"	36"	9400	3000		
WT3-2016	21		2"X16"	24"	40"	9400	3000		
WT3-2018	22		2"X18"	26"	44"	9400	3000		
WT3-2020	24		2"X20"	28"	48"	9400	3000		
WT3-2024	27		2"X24"	32"	56"	7300	2300		
WT3-2028	31		2"X28"	36"	64"	5600	1750		
WT3-2030	33		2"X30"	38"	68"	4900	1550		
WT3-2032	34		2"X32"	40"	72"	4400	1400		
WT3-2036	38		2"X36"	44"	80"	3500	1100		
WT3-2040	41		2"X40"	48"	88"	2900	900		
WT3-2042	43		2"X42"	50"	92"	2700	850		
WT3-2048	48		2"X48"	56"	104"	2100	650		
WT3-2060	58		2"X60"	68"	128"	1400	400		
WT3-2072	68		2"X72"	80"	152"	900	300		
WT3-2504	1 3/8"		14	2.5"X4"	12"	16"	3/4"	SAE #8	
WT3-2506		16	2.5"X6"	14"	20"	14700			3000
WT3-2508		18	2.5"X8"	16"	24"	14700			3000
WT3-2510		20	2.5"X10"	18"	28"	14700			3000
WT3-2512		22	2.5"X12"	20"	32"	14700			3000
WT3-2514		24	2.5"X14"	22"	36"	14700			3000
WT3-2516		26	2.5"X16"	24"	40"	14700			3000
WT3-2518		28	2.5"X18"	26"	44"	14700			3000
WT3-2520		30	2.5"X20"	28"	48"	14600			2950
WT3-2524		35	2.5"X24"	32"	56"	10700			2150
WT3-2528		39	2.5"X28"	36"	64"	8200			1650
WT3-2530		41	2.5"X30"	38"	68"	7200			1450
WT3-2532		43	2.5"X32"	40"	72"	6400			1300
WT3-2536		47	2.5"X36"	44"	80"	5200			1050
WT3-2540		51	2.5"X40"	48"	88"	4300			850
WT3-2542		53	2.5"X42"	50"	92"	3900			800
WT3-2548		59	2.5"X48"	56"	104"	3100			600
WT3-2560		72	2.5"X60"	68"	128"	2000			400

NOTE: COLUMN LOAD=MAXIMUM PUSHING LOAD SUGGESTED WITH A MINIMUM SAFETY FACTOR OF 2
COLUMN LOAD DATA IS BASED ON A PIN TO PIN MOUNTING CALCULATION

Custom is not responsible for incorrect results obtained with figures in this document.
Information is for reference only.No other conditions are expressed or implied.

Utility Welded Hydraulic Cylinders 3000 PSI WP



WELDED THROUGH HOLE									
PART NUMBER	ROD DIAM.	WEIGHT (LBS)	BORE & STROKE	DIMENSIONS		PIN SIZE	PORTS	COLUMN LOAD(LBS)	PRESSURE (PSI)
				RETRACTED	EXTENDED				
WT3-3004	1 1/2"	19	3"X4"	12"	16"	1"	SAE #8	21200	3000
WT3-3006		21	3"X6"	14"	20"			21200	3000
WT3-3008		24	3"X8"	16"	24"			21200	3000
WT3-3010		26	3"X10"	18"	28"			21200	3000
WT3-3012		28	3"X12"	20"	32"			21200	3000
WT3-3014		31	3"X14"	22"	36"			21200	3000
WT3-3016		33	3"X16"	24"	40"			21200	3000
WT3-3018		36	3"X18"	26"	44"			21200	3000
WT3-3020		38	3"X20"	28"	48"			20700	2900
WT3-3024		43	3"X24"	32"	56"			15200	2150
WT3-3028		48	3"X28"	36"	64"			11600	1600
WT3-3030		51	3"X30"	38"	68"			10300	1450
WT3-3032		53	3"X32"	40"	72"			9200	1300
WT3-3036		58	3"X36"	44"	80"			7400	1050
WT3-3040		63	3"X40"	48"	88"			6100	850
WT3-3042		65	3"X42"	50"	92"			5600	750
WT3-3048		73	3"X48"	56"	104"			4400	600
WT3-3060		87	3"X60"	68"	128"			2900	400
WT3-3504	1 3/4"	24	3.5"X4"	12	16	1"	SAE #8	28800	3000
WT3-3506		27	3.5"X6"	14	20			28800	3000
WT3-3508		30	3.5"X8"	16	24			28800	3000
WT3-3510		33	3.5"X10"	18	28			28800	3000
WT3-3512		36	3.5"X12"	20	32			28800	3000
WT3-3514		39	3.5"X14"	22	36			28800	3000
WT3-3516		42	3.5"X16"	24	40			28800	3000
WT3-3518		45	3.5"X18"	26	44			28800	3000
WT3-3520		48	3.5"X20"	28	48			28800	3000
WT3-3524		54	3.5"X24"	32	56			28100	2900
WT3-3528		60	3.5"X28"	36	64			21500	2200
WT3-3530		63	3.5"X30"	38	68			19100	1950
WT3-3532		66	3.5"X32"	40	72			1700	1750
WT3-3536		72	3.5"X36"	44	80			13800	1400
WT3-3540		79	3.5"X40"	48	88			11400	1150
WT3-3542		82	3.5"X42"	50	92			10400	1050
WT3-3548		91	3.5"X48"	56	104			8100	800
WT3-3560		109	3.5"X60"	68	128			5300	550

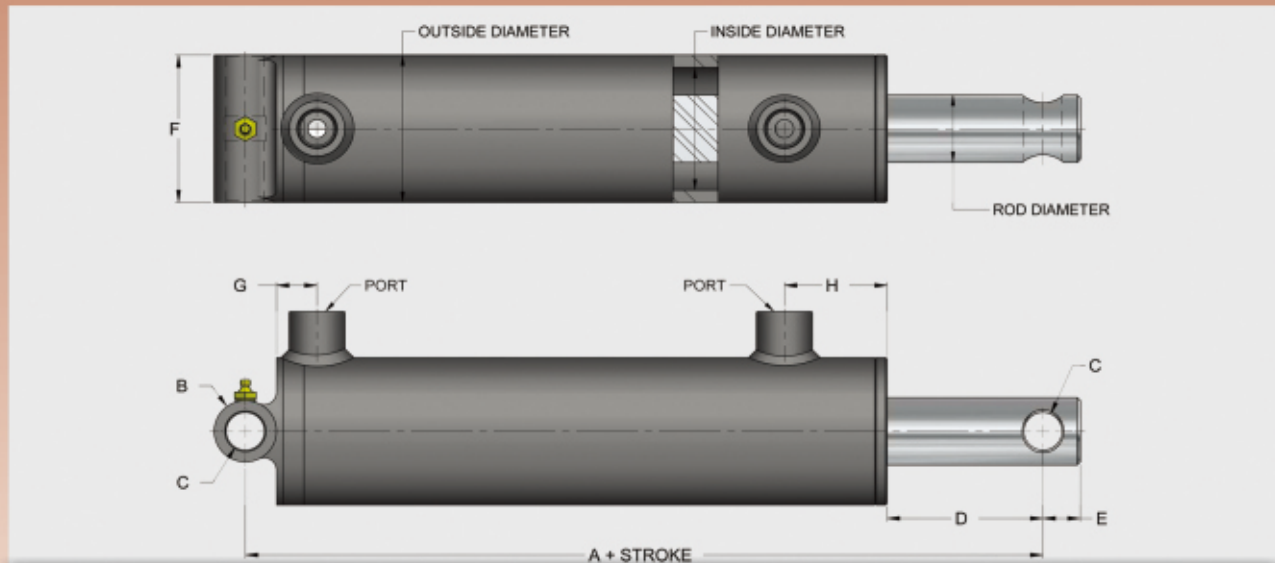
NOTE: COLUMN LOAD=MAXIMUM PUSHING LOAD SUGGESTED WITH A MINIMUM SAFETY FACTOR OF 2
COLUMN LOAD DATA IS BASED ON A PIN TO PIN MOUNTING CALCULATION

Custom is not responsible for incorrect results obtained with figures in this document.
Information is for reference only.No other conditions are expressed or implied.

Utility Welded Hydraulic Cylinders 3000 PSI WP

WELDED THROUGH HOLE									
PART NUMBER	ROD DIAM.	WEIGHT (LBS)	BORE & STROKE	DIMENSIONS		PIN SIZE	PORTS	COLUMN LOAD(LBS)	PRESSURE (PSI)
				RETRACTED	EXTENDED				
WT3-4004	2"	33	4"X4"	13"	17"	1 1/4"	SAE #8	37600	3000
WT3-4006		36	4"X6"	15"	21"			37600	3000
WT3-4008		40	4"X8"	17"	25"			37600	3000
WT3-4010		44	4"X10"	19"	29"			37600	3000
WT3-4012		47	4"X12"	21"	33"			37600	3000
WT-34014		51	4"X14"	23"	37"			37600	3000
WT3-4016		55	4"X16"	25"	41"			37600	3000
WT3-4018		58	4"X18"	27"	45"			37600	3000
WT3-4020		62	4"X20"	29"	49"			37600	3000
WT3-4024		70	4"X24"	33"	57"			37600	3000
WT3-4028		77	4"X28"	37"	65"			35600	2800
WT3-4030		81	4"X30"	39"	69"			31600	2500
WT3-4032		84	4"X32"	41"	73"			28200	2250
WT3-4036		92	4"X36"	45"	81"			22900	1800
WT3-4040		99	4"X40"	49"	89"			19000	1500
WT3-4042		103	4"X42"	51"	93"			17400	1350
WT3-4048		114	4"X48"	57"	105"			13600	1050
WT3-4060		136	4"X60"	69"	129"			9000	700

NOTE: COLUMN LOAD=MAXIMUM PUSHING LOAD SUGGESTED WITH A MINIMUM SAFETY FACTOR OF 2
COLUMN LOAD DATA IS BASED ON A PIN TO PIN MOUNTING CALCULATION



PART NUMBER	INSIDE DIAMETER	OUTSIDE DIAMETER	A	B	C	D	E	F	G	H	ROD DIAMETER	PORT
WT3-15-	1.50"	2.00"	7.00"	1.25"	0.64"	2.43"	0.62"	2.00"	0.81"	1.87"	1.00"	SAE #6
WT3-20-	2.00"	2.50"	8.00"	1.25"	0.76"	3.37"	0.75"	2.50"	0.81"	1.87"	1.25"	SAE #8
WT3-25-	2.50"	3.00"	8.00"	1.25"	0.76"	3.12"	0.75"	3.00"	0.81"	2.06"	1.37"	SAE #8
WT3-30-	3.00"	3.50"	8.00"	1.50"	1.01"	2.56"	1.00"	3.50"	0.81"	2.18"	1.50"	SAE #8
WT3-35-	3.50"	4.00"	8.00"	1.50"	1.01"	2.43"	1.00"	4.00"	0.81"	2.18"	1.75"	SAE #8
WT3-40-	4.00"	4.50"	9.00"	2.00"	1.26"	2.43"	1.25"	4.50"	0.81"	2.18"	2.00"	SAE #8

SEAL TEMPERATURE RANGE:-30°C/+100°C (-22°F/+212°F)

SEAL MAXIMUM SPEED:3 FT/SEC

MAXIMUM RETRACTED WORKING PRESSURE-3000 PSI

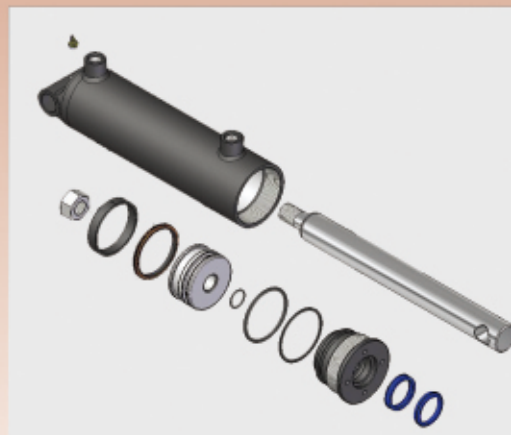
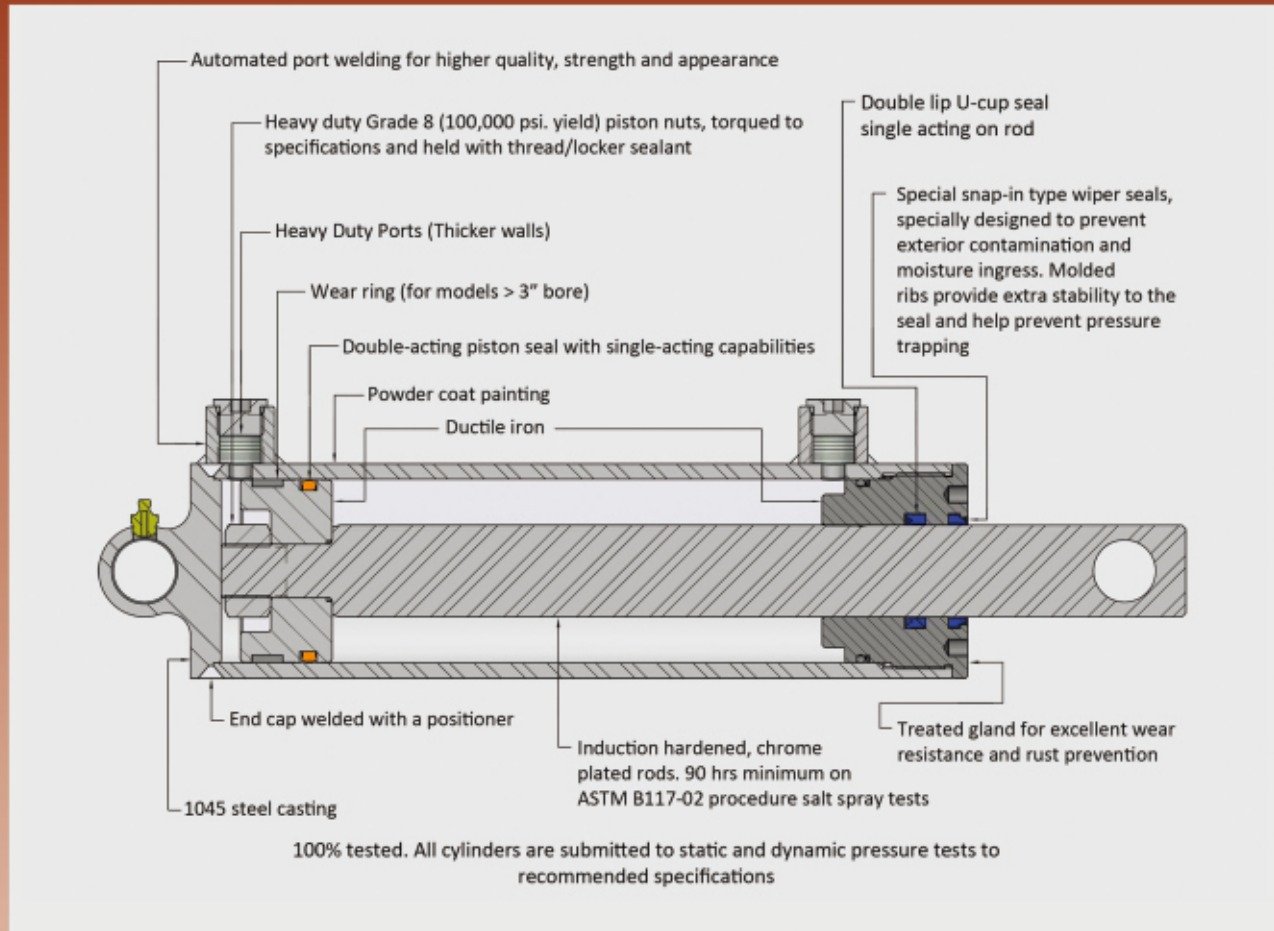
MAXIMUM EXTENDED WORKING PRESSURE-SEE COLUMN LOAD

RETRACTED AND STROKE TOLERANCE±1/8"

Custom is not responsible for incorrect results obtained with figures in this document.

Information is for reference only.No other conditions are expressed or implied.

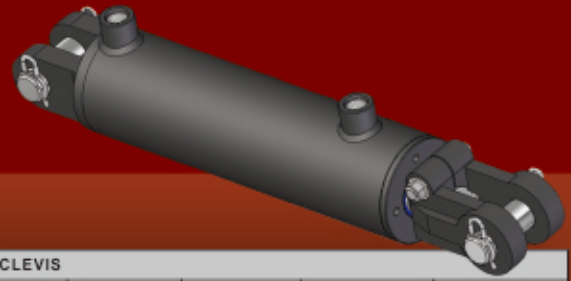
Utility Welded Hydraulic Cylinders 3000 PSI WP



Custom is not responsible for incorrect results obtained with figures in this document.
Information is for reference only.No other conditions are expressed or implied.



Utility Welded Hydraulic Cylinders 3000 PSI WP

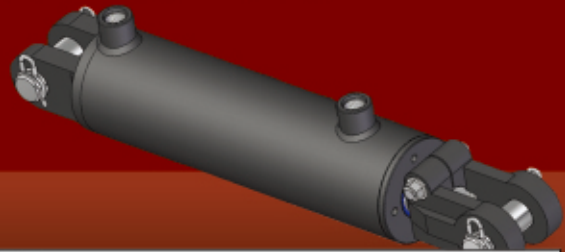


ADJUSTABLE FEMALE CLEVIS									
PART NUMBER	ROD DIAM.	WEIGHT (LBS)	BORE & STROKE	DIMENSIONS RETRACTED	DIMENSIONS EXTENDED	PIN SIZE	PORTS	COLUMN LOAD(LBS)	PRESSURE (PSI)
TCL1504	1"	10	1.5"x4"	14 1/4"	18 1/4"	3/4"	SAE #6	5300	3000
TCL1506		11	1.5"x6"	16 1/4"	22 1/4"			5300	3000
TCL1508		12	1.5"x8"	18 1/4"	26 1/4"			5300	3000
TCL1508-ASAE		13	1.5"x8"	20 1/4"	28 1/4"			5300	3000
TCL1510		13	1.5"x10"	20 1/4"	30 1/4"			5300	3000
TCL1512		15	1.5"x12"	22 1/4"	34 1/4"			5300	3000
TCL1514		16	1.5"x14"	24 1/4"	38 1/4"			5300	3000
TCL1516		17	1.5"x16"	26 1/4"	42 1/4"			5200	2950
TCL1518		18	1.5"x18"	28 1/4"	46 1/4"			4400	2450
TCL1520		20	1.5"x20"	30 1/4"	50 1/4"			3700	2100
TCL1524		22	1.5"x24"	34 1/4"	58 1/4"			2700	1550
TCL1528		25	1.5"x28"	38 1/4"	66 1/4"			2100	1200
TCL1530		26	1.5"x30"	40 1/4"	70 1/4"			1900	1050
TCL1532		27	1.5"x32"	42 1/4"	74 1/4"			1700	950
TCL1534		28	1.5"x34"	44 1/4"	78 1/4"			1500	850
TCL1536		29	1.5"x36"	46 1/4"	82 1/4"			1300	750
TCL2004		1 1/8"	16	2"x4"	14 1/4"			18 1/4"	1"
TCL2006	17		2"x6"	16 1/4"	22 1/4"	9400	3000		
TCL2008	19		2"x8"	18 1/4"	26 1/4"	9400	3000		
TCL2008-ASAE	20		2"x8"	20 1/4"	28 1/4"	9400	3000		
TCL2010	20		2"x10"	20 1/4"	30 1/4"	9400	3000		
TCL2012	22		2"x12"	22 1/4"	34 1/4"	9400	3000		
TCL2014	24		2"x14"	24 1/4"	38 1/4"	9400	3000		
TCL2016	25		2"x16"	26 1/4"	42 1/4"	8400	2650		
TCL2018	27		2"x18"	28 1/4"	46 1/4"	7000	2200		
TCL2020	28		2"x20"	30 1/4"	50 1/4"	5900	1900		
TCL2024	31		2"x24"	34 1/4"	58 1/4"	4400	1400		
TCL2028	35		2"x28"	38 1/4"	66 1/4"	3400	1050		
TCL2030	36		2"x30"	40 1/4"	70 1/4"	3000	950		
TCL2032	38		2"x32"	42 1/4"	74 1/4"	2700	850		
TCL2034	39		2"x34"	44 1/4"	78 1/4"	2400	750		
TCL2036	41		2"x36"	46 1/4"	82 1/4"	2200	700		
TCL2504	1 1/4"		19	2.5"x4"	14 1/4"	18 1/4"	1"	SAE #8	
TCL2506		21	2.5"x6"	16 1/4"	22 1/4"	14700			3000
TCL2508		23	2.5"x8"	18 1/4"	26 1/4"	14700			3000
TCL2508-ASAE		23	2.5"x8"	20 1/4"	28 1/4"	14700			3000
TCL2510		24	2.5"x10"	20 1/4"	30 1/4"	14700			3000
TCL2512		26	2.5"x12"	22 1/4"	34 1/4"	14700			3000
TCL2514		28	2.5"x14"	24 1/4"	38 1/4"	14700			3000
TCL2516		30	2.5"x16"	26 1/4"	42 1/4"	12800			2600
TCL2518		32	2.5"x18"	28 1/4"	46 1/4"	10700			2150
TCL2520		34	2.5"x20"	30 1/4"	50 1/4"	9100			1850
TCL2524		38	2.5"x24"	34 1/4"	58 1/4"	6700			1350
TCL2528		42	2.5"x28"	38 1/4"	66 1/4"	5200			1050
TCL2530		44	2.5"x30"	40 1/4"	70 1/4"	4600			900
TCL2532		46	2.5"x32"	42 1/4"	74 1/4"	4100			850
TCL2534		48	2.5"x34"	44 1/4"	78 1/4"	3700			750
TCL2536		49	2.5"x36"	46 1/4"	82 1/4"	3400			650

NOTE: COLUMN LOAD=MAXIMUM PUSHING LOAD SUGGESTED WITH A MINIMUM SAFETY FACTOR OF 2
COLUMN LOAD DATA IS BASED ON A PIN TO PIN MOUNTING CALCULATION

Custom is not responsible for incorrect results obtained with figures in this document.
Information is for reference only.No other conditions are expressed or implied.

Utility Welded Hydraulic Cylinders 3000 PSI WP

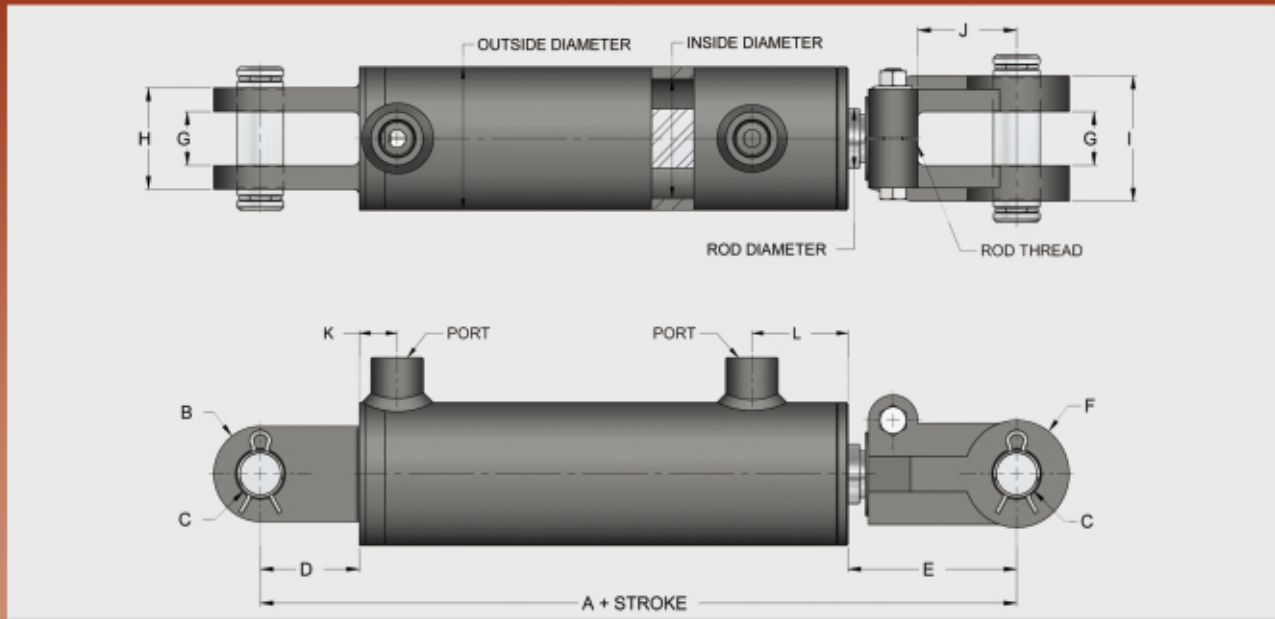


ADJUSTABLE FEMALE CLEVIS												
PART NUMBER	ROD DIAM.	WEIGHT (LBS)	BORE & STROKE	DIMENSIONS		PIN SIZE	PORTS	COLUMN LOAD(LBS)	PRESSURE (PSI)			
				RETRACTED	EXTENDED							
TCL3004	1 1/2"	24	3"X4"	14 1/4"	18 1/4"	1"	SAE #8	21200	3000			
TCL3006		26	3"X6"	16 1/4"	22 1/4"			21200	3000			
TCL3008		29	3"X8"	18 1/4"	26 1/4"			21200	3000			
TCL3008-ASAE		29	3"X8"	20 1/4"	28 1/4"			21200	3000			
TCL3010		31	3"X10"	20 1/4"	30 1/4"			21200	3000			
TCL3012		34	3"X12"	22 1/4"	34 1/4"			21200	3000			
TCL3014		36	3"X14"	24 1/4"	38 1/4"			21200	3000			
TCL3016		39	3"X16"	26 1/4"	42 1/4"			21200	3000			
TCL3018		41	3"X18"	28 1/4"	46 1/4"			21200	3000			
TCL3020		43	3"X20"	30 1/4"	50 1/4"			18800	2650			
TCL3024		48	3"X24"	34 1/4"	58 1/4"			14000	1950			
TCL3028		53	3"X28"	38 1/4"	66 1/4"			10800	1500			
TCL3030		56	3"X30"	40 1/4"	70 1/4"			9600	1350			
TCL3032		58	3"X32"	42 1/4"	74 1/4"			8600	1200			
TCL3034		61	3"X34"	44 1/4"	78 1/4"			7700	1100			
TCL3036		63	3"X36"	46 1/4"	82 1/4"			7000	950			
TCL3504		1 3/4"	39	3.5"X4"	14 1/4"			18 1/4"	1"	SAE #8	28800	3000
TCL3506			32	3.5"X6"	16 1/4"			22 1/4"			28800	3000
TCL3508			35	3.5"X8"	18 1/4"			26 1/4"			28800	3000
TCL3508-ASAE			36	3.5"X8"	20 1/4"			28 1/4"			28800	3000
TCL3510	38		3.5"X10"	20 1/4"	30 1/4"	28800	3000					
TCL3512	41		3.5"X12"	22 1/4"	34 1/4"	28800	3000					
TCL3514	44		3.5"X14"	24 1/4"	38 1/4"	28800	3000					
TCL3516	47		3.5"X16"	26 1/4"	42 1/4"	28800	3000					
TCL3518	50		3.5"X18"	28 1/4"	46 1/4"	28800	3000					
TCL3520	53		3.5"X20"	30 1/4"	50 1/4"	28800	3000					
TCL3524	59		3.5"X24"	34 1/4"	58 1/4"	26000	2700					
TCL3528	65		3.5"X28"	38 1/4"	66 1/4"	20100	2050					
TCL3530	68		3.5"X30"	40 1/4"	70 1/4"	17900	1850					
TCL3532	71		3.5"X32"	42 1/4"	74 1/4"	16000	1650					
TCL3534	75		3.5"X34"	44 1/4"	78 1/4"	14400	1500					
TCL3536	78		3.5"X36"	46 1/4"	82 1/4"	13000	1350					
TCL4004	2"		35	4"X4"	14 1/4"	18 1/4"	1"	SAE #8			37600	3000
TCL4006			38	4"X6"	16 1/4"	22 1/4"					37600	3000
TCL4008			42	4"X8"	18 1/4"	26 1/4"					37600	3000
TCL4008-ASAE			43	4"X8"	20 1/4"	28 1/4"					37600	3000
TCL4010		46	4"X10"	20 1/4"	30 1/4"	37600			3000			
TCL4012		49	4"X12"	22 1/4"	34 1/4"	34600			3000			
TCL4014		53	4"X14"	24 1/4"	38 1/4"	37600			3000			
TCL4016		57	4"X16"	26 1/4"	42 1/4"	37600			3000			
TCL4018		60	4"X18"	28 1/4"	46 1/4"	37600			3000			
TCL4020		64	4"X20"	30 1/4"	50 1/4"	37600			3000			
TCL4024		71	4"X24"	34 1/4"	58 1/4"	37600			3000			
TCL4028		79	4"X28"	38 1/4"	66 1/4"	34300			2700			
TCL4030		83	4"X30"	40 1/4"	70 1/4"	30500			2400			
TCL4032		86	4"X32"	42 1/4"	74 1/4"	27300			2150			
TCL4034		90	4"X34"	44 1/4"	78 1/4"	24600			1950			
TCL4036		94	4"X36"	46 1/4"	82 1/4"	22200			1750			

NOTE: COLUMN LOAD=MAXIMUM PUSHING LOAD SUGGESTED WITH A MINIMUM SAFETY FACTOR OF 2
COLUMN LOAD DATA IS BASED ON A PIN TO PIN MOUNTING CALCULATION

Custom is not responsible for incorrect results obtained with figures in this document.
Information is for reference only.No other conditions are expressed or implied.

Utility Welded Hydraulic Cylinders 3000 PSI WP



PART NUMBER	INSIDE DIAMETER	OUTSIDE DIAMETER	*A	B	C	D	*E	F	G	H	I	J	K	L	ROD THREAD	ROD DIAMETER	PORT
TCL15-	1.50"	2.00"	10.25"	1.50"	0.76"	1.62"	4.50"	1.87"	0.87"	1.75"	2.00"	1.62"	0.93"	1.87"	0.75-14 UNF	1.00"	SAE #6
TCL20-	2.00"	2.50"	10.25"	2.00"	1.01"	2.12"	3.62"	2.25"	1.12"	2.12"	2.62"	2.12"	0.81"	2.06"	1.125-12 UNF	1.12"	SAE #8
TCL25-	2.50"	3.00"	10.25"	2.00"	1.01"	2.12"	3.62"	2.25"	1.12"	2.12"	2.62"	2.12"	0.81"	2.06"	1.125-12 UNF	1.25"	SAE #8
TCL30-	3.00"	3.50"	10.25"	2.00"	1.01"	1.87"	3.62"	2.25"	1.12"	2.62"	2.62"	2.12"	0.87"	2.18"	1.250-12 UNF	1.50"	SAE #8
TCL35-	3.50"	4.00"	10.25"	2.00"	1.01"	1.87"	3.62"	2.50"	1.12"	2.62"	2.75"	2.12"	0.93"	2.18"	1.500-12 UNF	1.75"	SAE #8
TCL40-	4.00"	4.50"	10.25"	2.25"	1.01"	1.75"	3.62"	2.25"	1.12"	2.62"	2.75"	2.12"	1.00"	2.18"	1.500-12 UNF	2.00"	SAE #8

*FOR 8.00"ASAE STROKE:*A=12.25"

*FOR 8.00"ASAE STROKE:*E=6.50"(1.50"BORE) *E=5.62"(2.00"TO4.00"BORE)

SEAL TEMPERATURE RANGE:-30°C/+100°C (-22°F/+212°F)

SEAL MAXIMUM SPEED: 3 FT/SEC

MAXIMUM RETRACTED WORKING PRESSURE-3000 PSI

MAXIMUM EXTENDED WORKING PRESSURE-SEE COLUMN LOAD

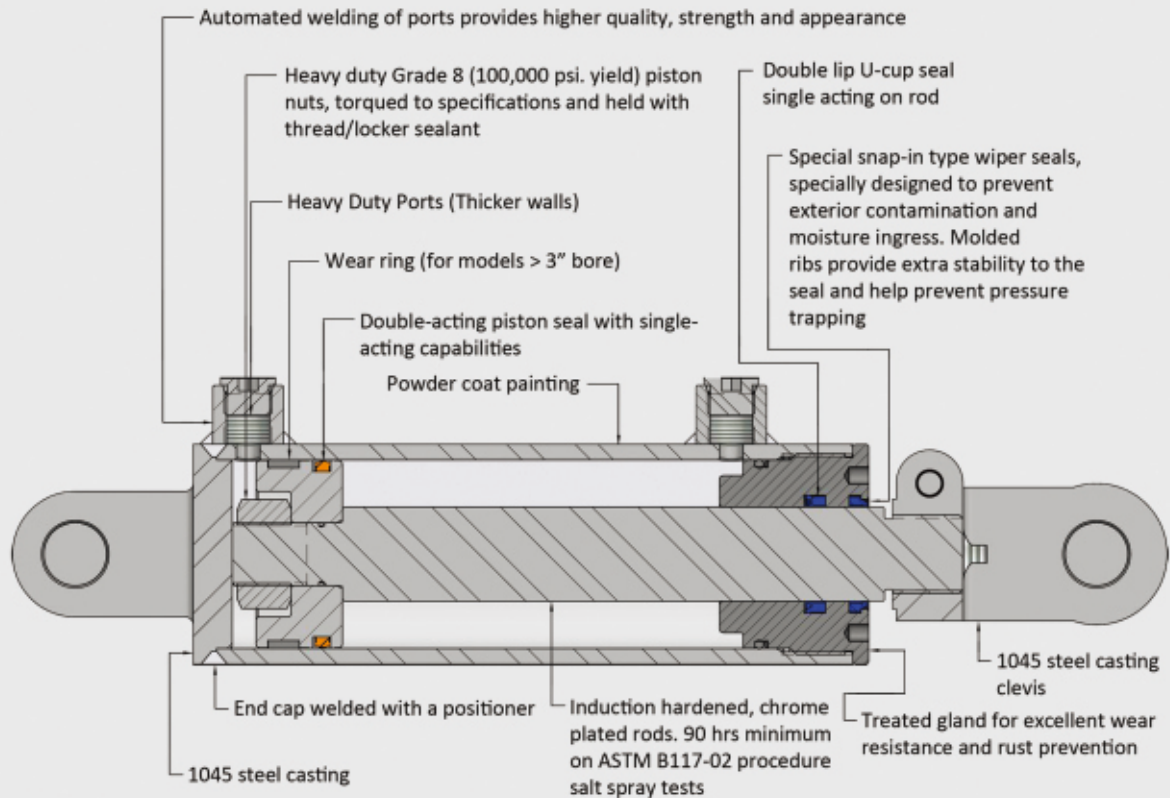
RETRACTED AND STROKE TOLERANCE± 1/8"

DIMENSIONS A AND E ARE FOR REFERENCES ONLY AS CLEVIS IS ADJUSTABLE

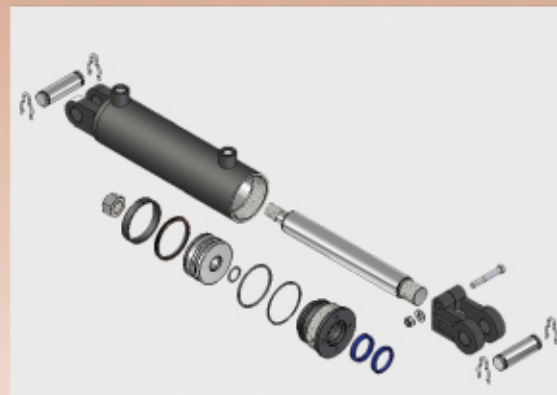
Custom is not responsible for incorrect results obtained with figures in this document.

Information is for reference only.No other conditions are expressed or implied.

Utility Welded Hydraulic Cylinders



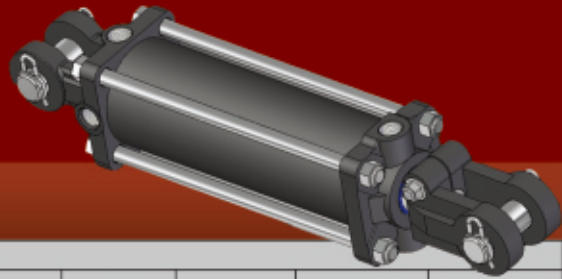
100% tested. All cylinders are submitted to static and dynamic pressure tests to recommended specifications



Custom is not responsible for incorrect results obtained with figures in this document. Information is for reference only. No other conditions are expressed or implied.



Utility Welded Hydraulic Cylinders 3000 PSI WP

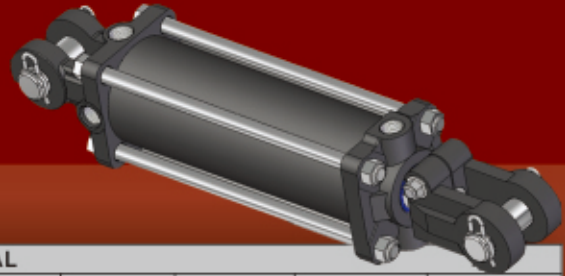


AGRICULTURAL									
PART NUMBER	ROD DIAM.	WEIGHT (LBS)	BORE & STROKE	DIMENSIONS		PIN SIZE	PORTS	COLUMN LOAD(LBS)	PRESSURE (PSI)
				RETRACTED	EXTENDED				
TR2.5-2004	1 1/8"	16	2"X4"	14 1/4"	18 1/4"	1"	3/8 NPT	7800	2500
TR2.5-2006		17	2"X6"	16 1/4"	22 1/4"			7800	2500
TR2.5-2008		19	2"X8"	18 1/4"	26 1/4"			7800	2500
TR2.5-2008-ASAE		20	2"X8"	20 1/4"	28 1/4"			7800	2500
TR2.5-2010		20	2"X10"	20 1/4"	30 1/4"			7800	2500
TR2.5-2012		22	2"X12"	22 1/4"	34 1/4"			7800	2500
TR2.5-2014		24	2"X14"	24 1/4"	38 1/4"			7800	2500
TR2.5-2016		25	2"X16"	26 1/4"	42 1/4"			7800	2500
TR2.5-2018		27	2"X18"	28 1/4"	46 1/4"			7000	2200
TR2.5-2020		28	2"X20"	30 1/4"	50 1/4"			5900	1900
TR2.5-2024		31	2"X24"	34 1/4"	58 1/4"			4400	1400
TR2.5-2030		36	2"X30"	40 1/4"	70 1/4"			3000	950
TR2.5-2036		41	2"X36"	46 1/4"	82 1/4"			2200	700
TR2.5-2504		1 1/8"	19	2.5"X4"	16 1/4"			22 1/4"	1"
TR2.5-2506	21		2.5"X6"	16 1/4"	22 1/4"	12200	2500		
TR2.5-2508	23		2.5"X8"	18 1/4"	26 1/4"	1200	2500		
TR2.5-2508-ASAE	23		2.5"X8"	20 1/4"	28 1/4"	12200	2500		
TR2.5-2510	24		2.5"X10"	20 1/4"	30 1/4"	12200	2500		
TR2.5-2512	26		2.5"X12"	22 1/4"	34 1/4"	12200	2500		
TR2.5-2514	28		2.5"X14"	24 1/4"	38 1/4"	10300	2100		
TR2.5-2516	29		2.5"X16"	26 1/4"	42 1/4"	8400	1700		
TR2.5-2518	32		2.5"X18"	28 1/4"	46 1/4"	10700	2150		
TR2.5-2520	34		2.5"X20"	30 1/4"	50 1/4"	9100	1850		
TR2.5-2524	1 1/4"	38	2.5"X24"	34 1/4"	58 1/4"	1"	1/2 NPT	6700	1350
TR2.5-2530		43	2.5"X30"	40 1/4"	70 1/4"			4600	900
TR2.5-2536		49	2.5"X36"	46 1/4"	82 1/4"			3400	650
TR2.5-3004		24	3"X4"	14 1/4"	18 1/4"			1"	1/2 NPT
TR2.5-3006	26	3"X6"	16 1/4"	22 1/4"	17600	2500			
TR2.5-3008	28	3"X8"	18 1/4"	26 1/4"	17600	2500			
TR2.5-3008-ASAE	29	3"X8"	20 1/4"	28 1/4"	17600	2500			
TR2.5-3010	30	3"X10"	20 1/4"	30 1/4"	17600	2500			
TR2.5-3012	33	3"X12"	22 1/4"	34 1/4"	17600	2500			
TR2.5-3014	35	3"X14"	24 1/4"	38 1/4"	15700	2200			
TR2.5-3016	37	3"X16"	26 1/4"	42 1/4"	12800	1800			
TR2.5-3016-ASAE	42	3"X16"	31 1/2"	47 1/2"	11/4"	17600	2500		
TR2.5-3018	42	3"X18"	28 1/4"	46 1/4"	1"	17600	2500		
TR2.5-3020	44	3"X20"	30 1/4"	50 1/4"		17600	2500		
TR2.5-3024	49	3"X24"	34 1/4"	58 1/4"		14000	1950		
TR2.5-3030	57	3"X30"	40 1/4"	70 1/4"		9600	1350		
TR2.5-3036	65	3"X36"	46 1/4"	82 1/4"		7000	950		

NOTE: COLUMN LOAD=MAXIMUM PUSHING LOAD SUGGESTED WITH A MINIMUM SAFETY FACTOR OF 2
COLUMN LOAD DATA IS BASED ON A PIN TO PIN MOUNTING CALCULATION

Custom is not responsible for incorrect results obtained with figures in this document.
Information is for reference only.No other conditions are expressed or implied.

Hydraulic Tie-Rod Cylinders 2500 PSI WP

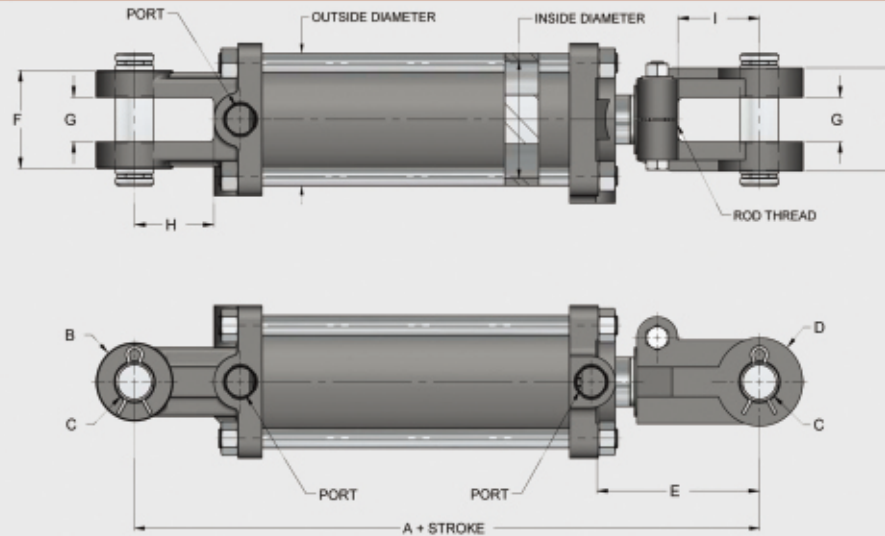


AGRICULTURAL									
PART NUMBER	ROD DIAM.	WEIGHT (LBS)	BORE & STROKE	DIMENSIONS		PIN SIZE	PORTS	COLUMN LOAD(LBS)	PRESSURE (PSI)
				RETRACTED	EXTENDED				
TR2.5-3504	1 1/4"	29	3.5"X4"	14 1/4"	18 1/4"	1"	1/2 NPT	24000	2500
TR2.5-3506		32	3.5"X6"	16 1/4"	22 1/4"			24000	2500
TR2.5-3508		34	3.5"X8"	18 1/4"	26 1/4"			24000	2500
TR2.5-3508-ASAE		35	3.5"X8"	20 1/4"	28 1/4"			24000	2500
TR2.5-3510		37	3.5"X10"	20 1/4"	30 1/4"			24000	2500
TR2.5-3512		39	3.5"X12"	22 1/4"	34 1/4"			19600	2000
TR2.5-3514		42	3.5"X14"	24 1/4"	38 1/4"			15700	1600
TR2.5-3516		44	3.5"X16"	26 1/4"	42 1/4"			12800	1300
TR2.5-3516-ASAE	11/2"	50	3.5"X16"	31 1/2"	47 1/2"	11/4"	21100	2150	
TR2.5-3518	1 1/4"	47	3.5"X18"	28 1/4"	46 1/4"	1"	1/2 NPT	10700	1100
TR2.5-3520		49	3.5"X20"	30 1/4"	50 1/4"			9100	900
TR2.5-3524	1 1/2"	58	3.5"X24"	34 1/4"	58 1/4"	1"	1/2 NPT	14000	1450
TR2.5-3530		66	3.5"X30"	40 1/4"	70 1/4"			9600	1000
TR2.5-3536		74	3.5"X36"	46 1/4"	82 1/4"			7000	700
TR2.5-4004	1 1/4"	33	4"X4"	14 1/4"	18 1/4"	1"	1/2 NPT	31400	2500
TR2.5-4006		36	4"X6"	16 1/4"	22 1/4"			31200	2450
TR2.5-4008		38	4"X8"	18 1/4"	26 1/4"			25400	2000
TR2.5-4008-ASAE		39	4"X8"	20 1/4"	28 1/4"			22200	1750
TR2.5-4010		41	4"X10"	20 1/4"	30 1/4"			25100	2000
TR2.5-4012		44	4"X12"	22 1/4"	34 1/4"			19600	1550
TR2.5-4014		46	4"X14"	24 1/4"	38 1/4"			15700	1250
TR2.5-4016		49	4"X16"	26 1/4"	42 1/4"			12800	1000
TR2.5-4016-ASAE	2"	63	4"X16"	31 1/2"	47 1/2"	11/4"	31400	2500	
TR2.5-4018	1 1/2"	55	4"X18"	28 1/4"	46 1/4"	1"	1/2 NPT	22300	1750
TR2.5-4020		58	4"X20"	30 1/4"	50 1/4"			18800	1500
TR2.5-4024		64	4"X24"	34 1/4"	58 1/4"			14000	1100
TR2.5-4024-175	13/4"	68	4"X24"	34 1/4"	58 1/4"	1"	1/2 NPT	26000	2050
TR2.5-4024-200	2"	73	4"X24"	34 1/4"	58 1/4"			31400	2500
TR2.5-4030		84	4"X30"	40 1/4"	70 1/4"			30500	2400
TR2.5-4036	95	4"X36"	46 1/4"	82 1/4"	22200			1750	

NOTE: COLUMN LOAD=MAXIMUM PUSHING LOAD SUGGESTED WITH A MINIMUM SAFETY FACTOR OF 2
COLUMN LOAD DATA IS BASED ON A PIN TO PIN MOUNTING CALCULATION

Custom is not responsible for incorrect results obtained with figures in this document.
Information is for reference only.No other conditions are expressed or implied.

Hydraulic Tie-Rod Cylinders 2500 PSI WP



PART NUMBER	INSIDE DIAMETER	OUTSIDE DIAMETER	*A	B	*C	*D	*E	F	G	H	I	*J	*ROD THREAD	PORT
TR2.5-20-	2.00"	2.37"	10.25"	2.00"	1.01"	2.00"	3.75"	2.50"	1.12"	2.06"	2.12"	2.62"	1.125-12 UNF	3/8-NPT
TR2.5-25-	2.50"	2.87"	10.25"	2.00"	1.01"	2.25"	3.75"	2.50"	1.12"	2.06"	2.12"	2.62"	1.125-12 UNF	3/8-NPT
TR2.5-30-	3.00"	3.37"	10.25"	2.00"	1.01"	2.25"	3.75"	2.55"	1.12"	2.06"	2.12"	2.62"	1.250-12 UNF	1/2-NPT
TR2.5-35-	3.50"	3.87"	10.25"	2.25"	1.01"	2.25"	3.62"	2.50"	1.12"	2.06"	2.12"	2.62"	1.250-12 UNF	1/2-NPT
TR2.5-40-	4.00"	4.37"	10.25"	2.25"	1.01"	2.25"	3.56"	2.62"	1.12"	2.06"	2.12"	2.62"	1.250-12 UNF	1/2-NPT

*FOR 8.00"ASAE STROKE:*A=12.25"AND FOR 16.00"ASAE STROKE:*A=15.50"

*FOR 8.00"ASAE STROKE:*E=5.75"(2.00"TO 3.00" BORE) *E=5.62"(3.50"BORE)*E=5.56"(4.00"BORE)

*FOR 16.00"ASAE STROKE:*E=9.00"(3.00"BORE)*E=8.87"(3.50"BORE)*E=8.81"(4.00"BORE)*E=7.43"(5.00"BORE)

*FOR TR2.5-2518 TO TR2.5-2536:ROD THREAD=1.250-12 UNF

*FOR TR2.5-4016-ASAE TO TR2.5-4036:*D=2.50"*J=2.75" *ROD THREAD=1.500-12 UNF

*FOR 16.00"ASAE STROKE:*C=1.26

SEAL TEMPERATURE RANGE:-30°C/+100°C (-22°F/+212°F)

SEAL MAXIMUM SPEED:3 FT/SEC

MAXIMUM RETRACTED WORKING PRESSURE-2500 PSI

MAXIMUM EXTENDED WORKING PRESSURE-SEE COLUMN LOAD

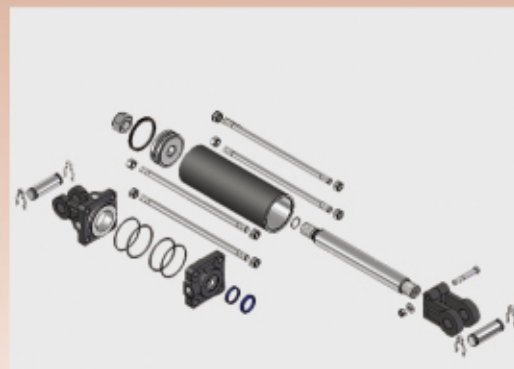
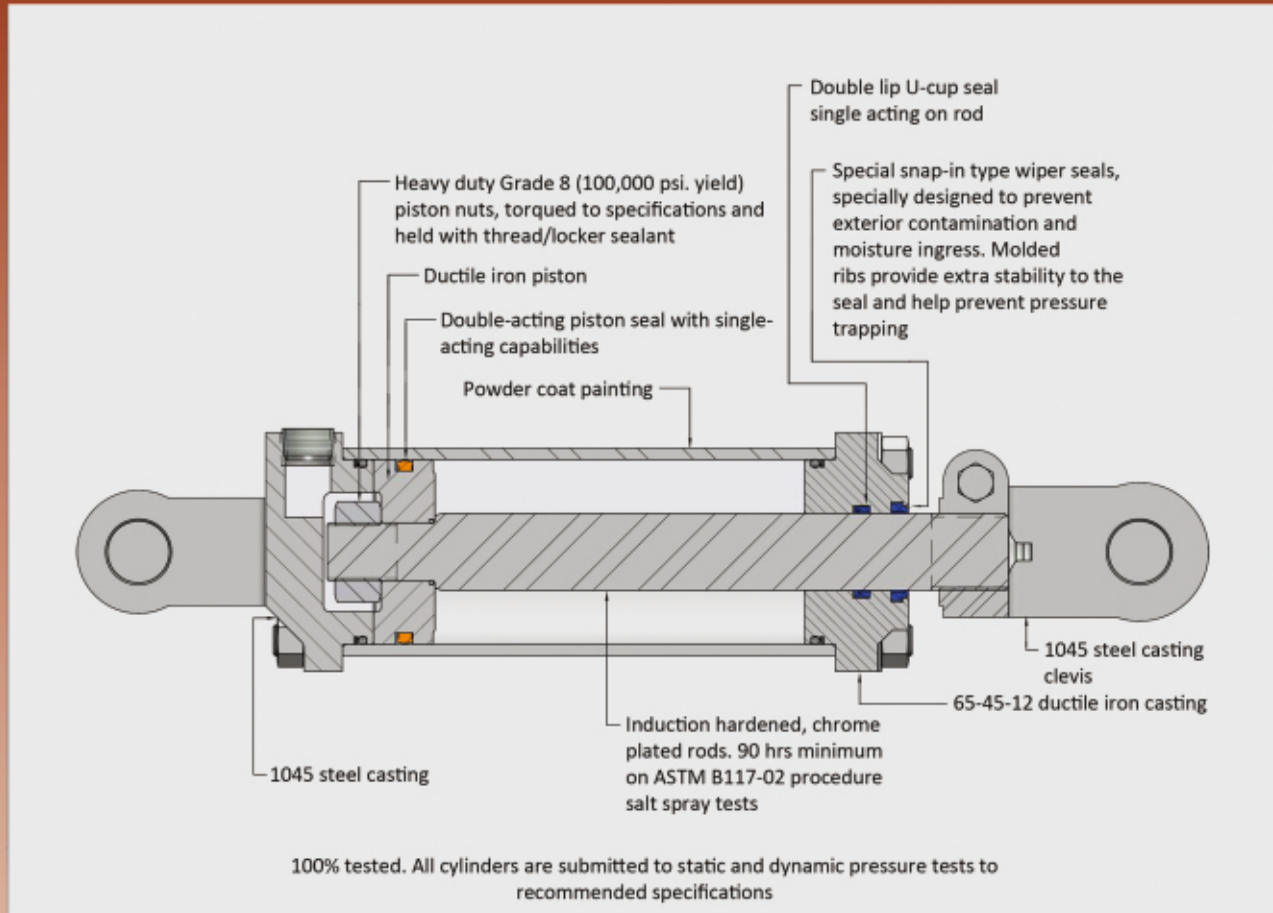
RETRACTED AND STROKE TOLERANCE±1/8"

DIMENSIONS A AND E ARE FOR REFERENCES ONLY AS CLEVIS IS ADJUSTABLE

Custom is not responsible for incorrect results obtained with figures in this document.

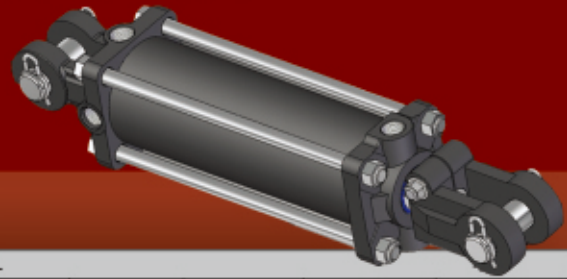
Information is for reference only.No other conditions are expressed or implied.

Hydraulic Tie-Rod Cylinders 2500 PSI WP



Custom is not responsible for incorrect results obtained with figures in this document.
Information is for reference only.No other conditions are expressed or implied.

Hydraulic Tie-Rod Cylinders 3000 PSI WP

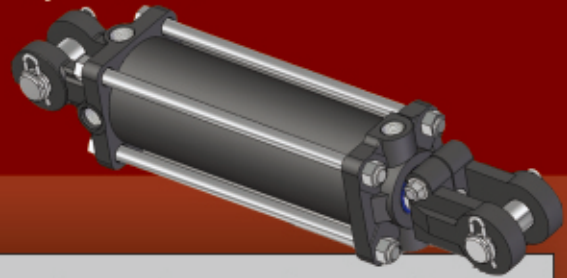


AGRICULTURAL										
PART NUMBER	ROD DIAM.	WEIGHT (LBS)	BORE & STROKE	DIMENSIONS		PIN SIZE	PORTS	COLUMN LOAD(LBS)	PRESSURE (PSI)	
				RETRACTED	EXTENDED					
TR3-2004	1 1/8"	17	2"X4"	14 1/4"	18 1/4"	1"	3/8 NPT & SAE #8	9400	3000	
TR3-2006		19	2"X6"	16 1/4"	22 1/4"			9400	3000	
TR3-2008		21	2"X8"	18 1/4"	26 1/4"			9400	3000	
TR3-2008-ASAE		22	2"X8"	20 1/4"	28 1/4"			9400	3000	
TR3-210		23	2"X10"	20 1/4"	30 1/4"			9400	3000	
TR3-2012		25	2"X12"	22 1/4"	34 1/4"			9400	3000	
TR3-2014		27	2"X14"	24 1/4"	38 1/4"			9400	3000	
TR3-2016		28	2"X16"	26 1/4"	42 1/4"			8400	2650	
TR3-2018		30	2"X18"	28 1/4"	46 1/4"			7000	2200	
TR3-2020		32	2"X20"	30 1/4"	50 1/4"			5900	1900	
TR3-2024		36	2"X24"	34 1/4"	58 1/4"			4400	1400	
TR3-2030		41	2"X30"	40 1/4"	70 1/4"			3000	950	
TR3-2036		47	2"X36"	46 1/4"	82 1/4"			2200	700	
TR3-2504		1 1/4"	22	2.5"X4"	14 1/4"			18 1/4"	1"	3/8 NPT & SAE #8
TR3-2506	24		2.5"X6"	16 1/4"	22 1/4"	14700	3000			
TR3-2508	26		2.5"X8"	18 1/4"	26 1/4"	14700	3000			
TR3-2508-ASAE	27		2.5"X8"	20 1/4"	28 1/4"	14700	3000			
TR3-2510	29		2.5"X10"	20 1/4"	30 1/4"	14700	3000			
TR3-2512	31		2.5"X12"	22 1/4"	34 1/4"	14700	3000			
TR3-2514	33		2.5"X14"	24 1/4"	38 1/4"	14700	3000			
TR3-2516	36		2.5"X16"	26 1/4"	42 1/4"	12800	2600			
TR3-2518	38		2.5"X18"	28 1/4"	46 1/4"	10700	2150			
TR3-2520	41		2.5"X20"	30 1/4"	50 1/4"	9100	1850			
TR3-2524	45		2.5"X24"	34 1/4"	58 1/4"	6700	1350			
TR3-2530	52		2.5"X30"	40 1/4"	70 1/4"	4600	900			
TR3-2536	60		2.5"X36"	46 1/4"	82 1/4"	3400	650			
TR3-3004	26		26	3"X4"	14 1/4"	18 1/4"	1"	1/2 NPT & SAE #8		
TR3-3006		29	3"X6"	16 1/4"	22 1/4"	21200			3000	
TR3-3008		32	3"X8"	18 1/4"	26 1/4"	21200			3000	
TR3-3008-ASAE		32	3"X8"	20 1/4"	28 1/4"	21200			3000	
TR3-3010		34	3"X10"	20 1/4"	30 1/4"	21200			3000	
TR3-3012		37	3"X12"	22 1/4"	34 1/4"	21200			3000	
TR3-3014		40	3"X14"	24 1/4"	38 1/4"	21200			3000	
TR3-3016		43	3"X16"	26 1/4"	42 1/4"	18800			2650	
TR3-3006-ASAE		45	3"X16"	31 1/2"	47 1/2"	11/4"			14900	2100
TR3-3018		45	3"X18"	28 1/4"	46 1/4"	1"			15700	1850
TR3-3020		48	3"X20"	30 1/4"	50 1/4"				13300	1850
TR3-3024		53	3"X24"	34 1/4"	58 1/4"				9900	1400
TR3-3030		62	3"X30"	40 1/4"	70 1/4"				6800	950
TR3-3036		70	3"X36"	46 1/4"	82 1/4"				4900	700

NOTE: COLUMN LOAD=MAXIMUM PUSHING LOAD SUGGESTED WITH A MINIMUM SAFETY FACTOR OF 2
COLUMN LOAD DATA IS BASED ON A PIN TO PIN MOUNTING CALCULATION

Custom is not responsible for incorrect results obtained with figures in this document.
Information is for reference only.No other conditions are expressed or implied.

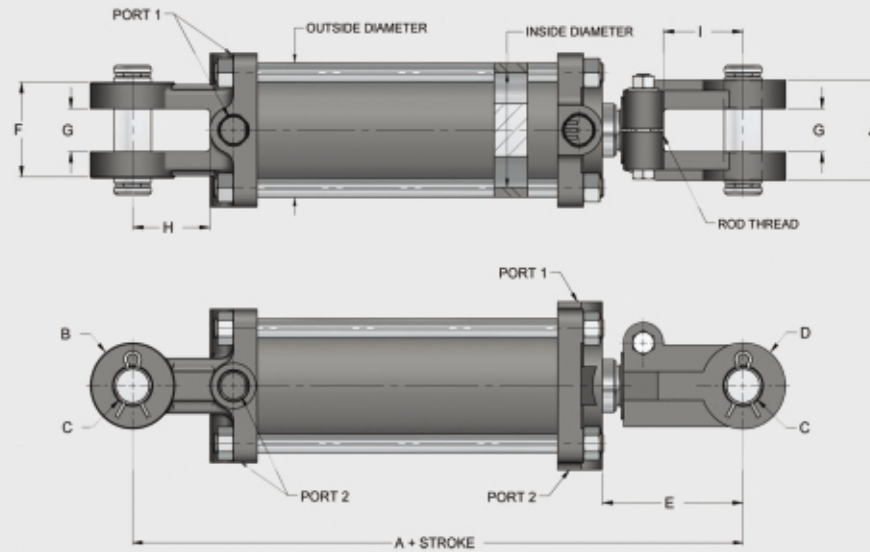
Hydraulic Tie-Rod Cylinders 3000 PSI WP



AGRICULTURAL										
PART NUMBER	ROD DIAM.	WEIGHT (LBS)	BORE & STROKE	DIMENSIONS		PIN SIZE	PORTS	COLUMN LOAD(LBS)	PRESSURE (PSI)	
				RETRACTED	EXTENDED					
TR3-3504	1 3/8"	34	3.5"x4"	14 1/4"	18 1/4"	1"	1/2 NPT & SAE #8	28800	3000	
TR3-3506		37	3.5"x6"	16 1/4"	22 1/4"			28800	3000	
TR3-3508		40	3.5"x8"	18 1/4"	26 1/4"			28800	3000	
TR3-3508-ASAE		41	3.5"x8"	20 1/4"	28 1/4"			28800	3000	
TR3-3510		43	3.5"x10"	20 1/4"	30 1/4"			28300	2900	
TR3-3512		47	3.5"x12"	22 1/4"	34 1/4"			28700	2950	
TR3-3514		50	3.5"x14"	24 1/4"	38 1/4"			23000	2350	
TR3-3516		53	3.5"x16"	26 1/4"	42 1/4"	18800		1950		
TR3-3516-ASAE		56	3.5"x16"	31 1/2"	47 1/2"	11/4"		14900	1550	
TR3-3518		56	3.5"x18"	28 1/4"	46 1/4"	1"		15700	1600	
TR3-3520		60	3.5"x20"	30 1/4"	50 1/4"			13300	1350	
TR3-3524		66	3.5"x24"	34 1/4"	58 1/4"			9900	1000	
TR3-3530		76	3.5"x30"	40 1/4"	70 1/4"			6800	700	
TR3-3536		85	3.5"x36"	46 1/4"	82 1/4"			4900	500	
TR3-4004	1 3/4"	41	4"x4"	14 1/4"	18 1/4"		1"	1/2 NPT & SAE #8	37600	3000
TR3-4006		45	4"x6"	16 1/4"	22 1/4"				37600	3000
TR3-4008		49	4"x8"	18 1/4"	26 1/4"	37600			3000	
TR3-4008-ASAE		50	4"x8"	20 1/4"	28 1/4"	37600			3000	
TR3-4010		52	4"x10"	20 1/4"	30 1/4"	37600			3000	
TR3-4012		56	4"x12"	22 1/4"	34 1/4"	37600			3000	
TR3-4014		60	4"x14"	24 1/4"	38 1/4"	37600			3000	
TR3-4016		64	4"x16"	26 1/4"	42 1/4"	37600	3000			
TR3-4016-ASAE		68	4"x16"	31 1/2"	47 1/2"	11/4"	37600		3000	
TR3-4018		68	4"x18"	28 1/4"	46 1/4"	1"	37600		3000	
TR3-4020		72	4"x20"	30 1/4"	50 1/4"		35000		2750	
TR3-4024		80	4"x24"	34 1/4"	58 1/4"		26000		2050	
TR3-4030		92	4"x30"	40 1/4"	70 1/4"		17900		1400	
TR3-4036		104	4"x36"	46 1/4"	82 1/4"		13000		1000	
TR3-5004	2"	71106	5"x4"5"x18"	16 1/4"	20 1/4"		1 1/4"	1/2 NPT & SAE #10	58900	3000
TR3-5006		76	5"x4"	16 1/4"	24 1/4"				58900	3000
TR3-5008-ASAE		81	5"x8"	20 1/4"	28 1/4"	58900			3000	
TR3-5010		86	5"x10"	22 1/4"	32 1/4"	58900			3000	
TR3-5012		91	5"x12"	24 1/4"	36 1/4"	58900			3000	
TR3-5014		96	5"x14"	26 1/4"	40 1/4"	58900			3000	
TR3-5016		101	5"x16"	28 1/4"	44 1/4"	58900			3000	
TR3-5016-ASAE		104	5"x16"	31 1/2"	47 1/2"	58900			3000	
TR3-5018		106	5"x18"	30 1/4"	48 1/4"	58900			3000	
TR3-5020		112	5"x20"	32 1/4"	52 1/4"	55200			2800	
TR3-5024		122	5"x24"	36 1/4"	60 1/4"	41500			2100	
TR3-5030		137	5"x30"	42 1/4"	72 1/4"	28800			1450	
TR3-5036		153	5"x36"	48 1/4"	84 1/4"	21200			1050	

NOTE: COLUMN LOAD=MAXIMUM PUSHING LOAD SUGGESTED WITH A MINIMUM SAFETY FACTOR OF 2
COLUMN LOAD DATA IS BASED ON A PIN TO PIN MOUNTING CALCULATION

Custom is not responsible for incorrect results obtained with figures in this document.
Information is for reference only.No other conditions are expressed or implied.



PART NUMBER	INSIDE DIAMETER	OUTSIDE DIAMETER	+A	B	+C	D	+E	F	+G	H	I	J	ROD THREAD	PORT-1	PORT-2
TR3-20-	2.00"	2.50"	10.25"	2.00"	1.01"	2.00"	3.75"	2.50"	1.12"	2.06"	2.12"	2.62"	1.125-12 UNF	3/8-NPT	SAE #8
TR3-25-	2.50"	3.00"	10.25"	2.00"	1.01"	2.00"	3.75"	2.50"	1.12"	2.06"	2.12"	2.62"	1.125-12 UNF	3/8-NPT	SAE #8
TR3-30-	3.00"	3.50"	10.25"	2.25"	1.01"	2.25"	3.75"	2.25"	1.12"	2.06"	2.12"	2.62"	1.125-12 UNF	1/2-NPT	SAE #8
TR3-35-	3.50"	4.00"	10.25"	2.50"	1.01"	2.52"	3.62"	2.62"	1.12"	2.06"	2.12"	2.75"	1.313-12 UNF	1/2-NPT	SAE #8
TR3-40-	4.00"	4.50"	10.25"	2.50"	1.01"	2.50"	3.56"	2.62"	1.12"	2.06"	2.12"	2.75"	1.500-12 UNF	1/2-NPT	SAE #8
TR3-50-	5.00"	5.50"	12.25"	2.87"	1.26"	2.75"	4.18"	3.50"	∅	2.25"	2.12"	3.31"	1.500-12 UNF	1/2-NPT	SAE #10

*FOR 8.00"ASAE STROKE:*A=12.25"AND FOR 16.00"ASAE STROKE:*A=15.50"

*FOR 8.00"ASAE STROKE:*E=5.75"(2.00"TO 3.00" BORE) *E=5.62"(3.50"BORE)*E=5.56"(4.00"BORE)

*FOR 16.00"ASAE STROKE:*E=9.00"(3.00"BORE)*E=8.87"(3.50"BORE)*E=8.81"(4.00"BORE)*E=7.43"(5.00"BORE)

*FOR 5.00"BORE:G(FRONT CLEVIS)=1.18" *G(END CAP)=1.31"

*FOR 16.00"ASAE STROKE:*C=1.26

SEAL TEMPERATURE RANGE:-30°C/+100°C (-22°F/+212°F)

SEAL MAXIMUM SPEED:3 FT/SEC

MAXIMUM RETRACTED WORKING PRESSURE=3000 PSI

MAXIMUM EXTENDED WORKING PRESSURE-SEE COLUMN LOAD

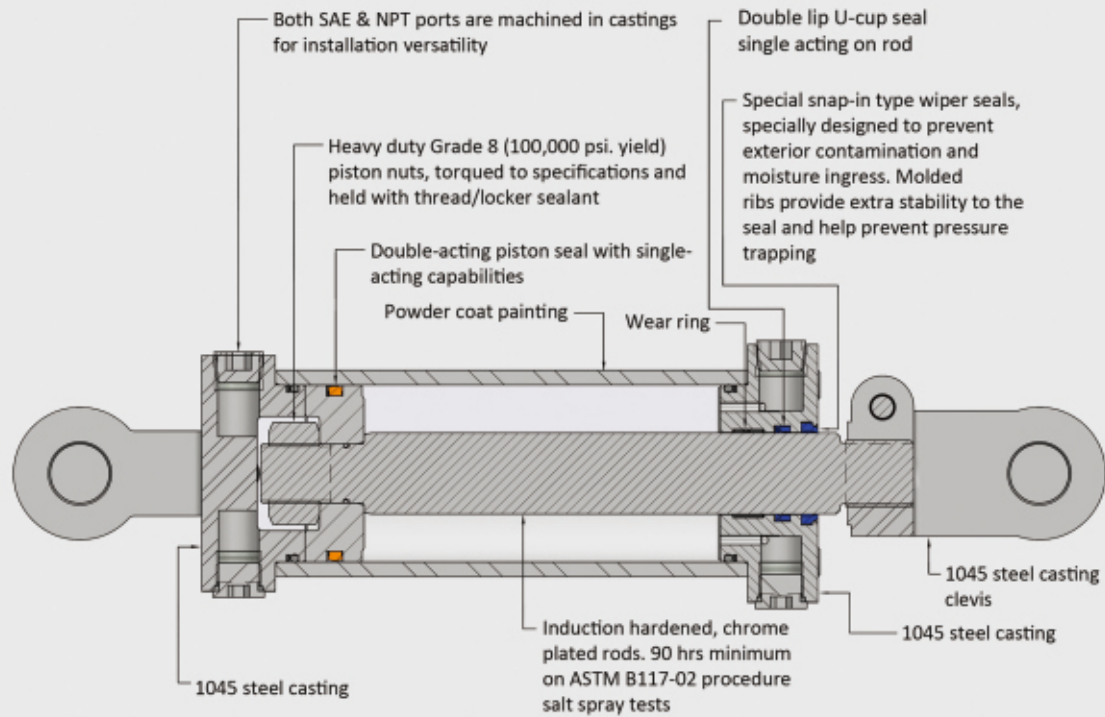
RETRACTED AND STROKE TOLERANCE±1/8"

DIMENSIONS A AND E ARE FOR REFERENCES ONLY AS CLEVIS IS ADJUSTABLE

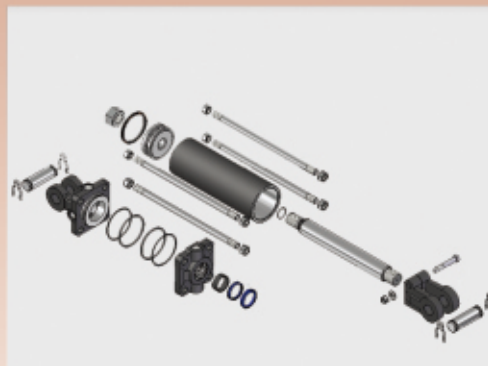
Custom is not responsible for incorrect results obtained with figures in this document.

Information is for reference only.No other conditions are expressed or implied.

Hydraulic Tie-Rod Cylinders 3000 PSI WP

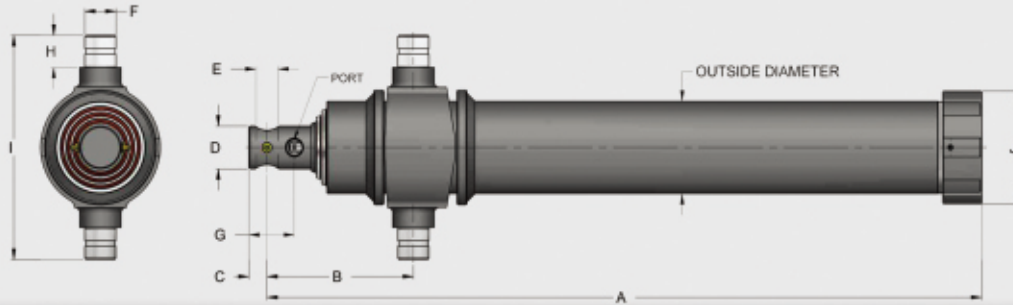


100% tested. All cylinders are submitted to static and dynamic pressure tests to recommended specifications



Custom is not responsible for incorrect results obtained with figures in this document.
Information is for reference only. No other conditions are expressed or implied.

Inverted Telescopic Cylinders



7 TONS - INVERTED TELESCOPIC CYLINDERS (2100 PSI MAX. WORKING PRESSURE)

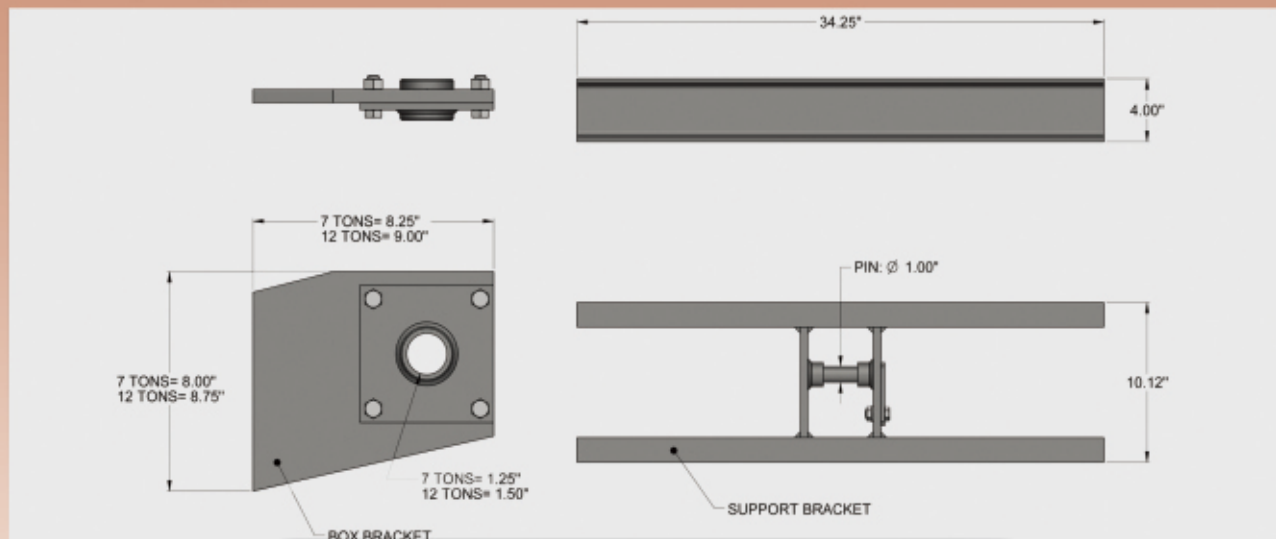
PART NUMBER	CAPACITY	OUTSIDE DIAMETER	STROKE	A	B	C	D	E	F	G	H	I	J	PORT	WEIGHT (LBS)
TC-07833	7 TONS	3.75"	78"	34.62"	7.00"	0.87"	2.00"	1.06"	1.25"	2.25"	1.25"	9.00"	4.25"	1/2-NPT	86
TC-09033	7 TONS	3.75"	90"	38.62"	7.00"	0.87"	2.00"	1.06"	1.25"	2.25"	1.25"	9.00"	4.25"	1/2-NPT	94
TC-10833	7 TONS	3.75"	108"	44.62"	7.00"	0.87"	2.00"	1.06"	1.25"	2.25"	1.25"	9.00"	4.25"	1/2-NPT	106

RETRACTED TOLERANCE $\pm 1/8"$

12 TONS - INVERTED TELESCOPIC CYLINDERS (2450 PSI MAX. WORKING PRESSURE)

PART NUMBER	CAPACITY	OUTSIDE DIAMETER	STROKE	A	B	C	D	E	F	G	H	I	J	PORT	WEIGHT (LBS)
TC-07843	12 TONS	4.50"	78"	33.87"	7.00"	0.87"	2.00"	1.06"	1.50"	2.25"	1.50"	10.50"	5.00"	1/2-NPT	99
TC-09043	12 TONS	4.50"	90"	37.87"	7.00"	0.87"	2.00"	1.06"	1.50"	2.25"	1.50"	10.50"	5.00"	1/2-NPT	109
TC-10843	12 TONS	4.50"	108"	43.87"	7.00"	0.87"	2.00"	1.06"	1.50"	2.25"	1.50"	10.50"	5.00"	1/2-NPT	125
TC-12043	12 TONS	4.50"	120"	47.87"	7.00"	0.87"	2.00"	1.06"	1.50"	2.25"	1.50"	10.50"	5.00"	1/2-NPT	135

RETRACTED TOLERANCE $\pm 1/8"$



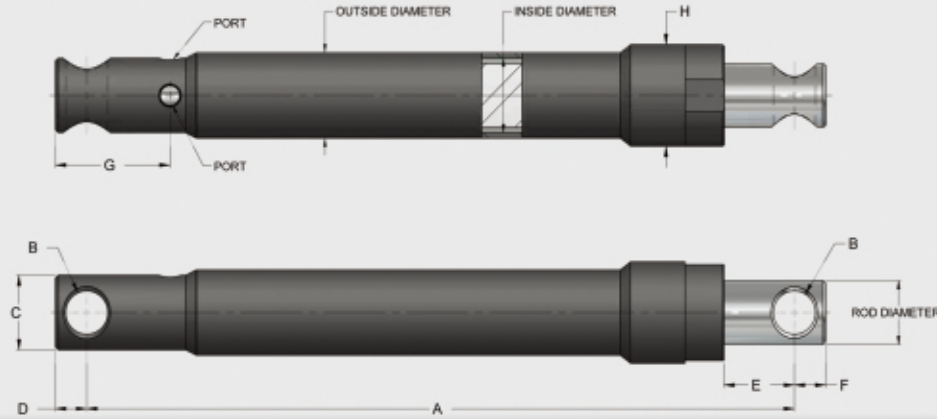
TELESCOPIC ACCESSORIES

PART NUMBER	DESCRIPTION
TC-SB	SUPPORT BRACKET FOR 7 AND 12 TONS
TC-S07	BOX BRACKET KIT 7 TONS
TC-S12	BOX BRACKET KIT 12 TONS

Custom is not responsible for incorrect results obtained with figures in this document.
Information is for reference only. No other conditions are expressed or implied.



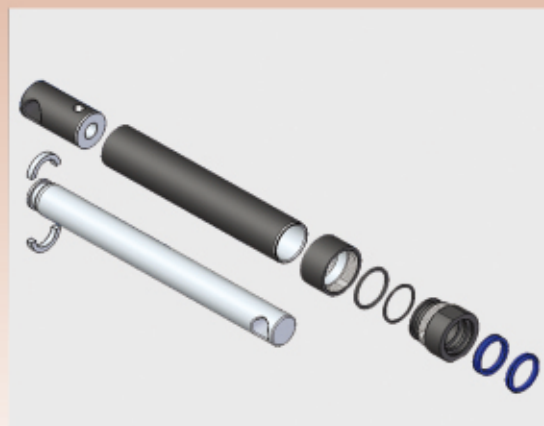
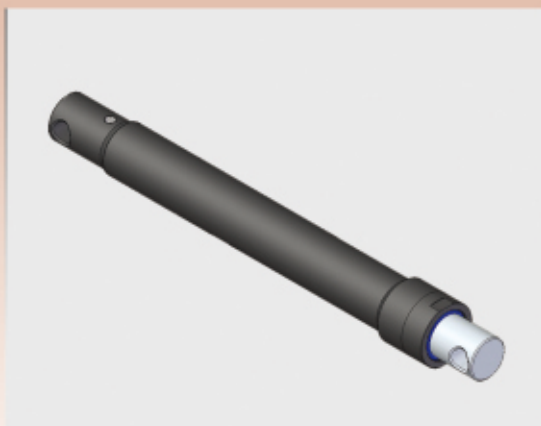
Snow Plow Hydraulic Cylinders 2500 PSI WP

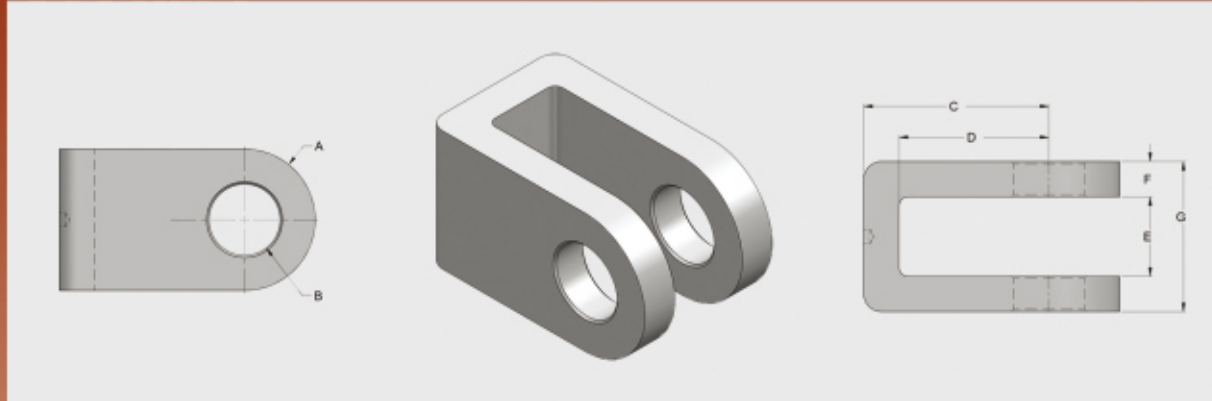


PART NUMBER	REPLACEMENT	STROKE	INSIDE DIAMETER	OUTSIDE DIAMETER	A	B	C	D	E	F	G	H	ROD DIAMETER	PORT	WEIGHT (LBS)
ASP-1510-0750	ARCTIC	10.00"	1.75"	2.00"	17.00"	0.76"	1.75"	0.75"	1.68"	0.75"	2.75"	2.37"	1.50"	(2X)1/4-NPT	12
ASP-1512-0750	ARCTIC	12.00"	1.75"	2.00"	19.00"	0.76"	1.75"	0.75"	1.68"	0.75"	2.75"	2.37"	1.50"	(2X)1/4-NPT	13
FSP-1510-1000	FISHER	10.00"	1.75"	2.00"	17.00"	1.01"	1.75"	0.75"	1.68"	0.75"	2.75"	2.37"	1.50"	(2X)1/4-NPT	11
FSP-1512-1000	FISHER	12.00"	1.75"	2.00"	19.25"	1.01"	1.75"	0.75"	1.93"	0.75"	2.75"	2.37"	1.50"	(2X)1/4-NPT	13
FSP-2016-1250	FISHER	16.00"	2.25"	2.50"	23.25"	1.26"	2.25"	1.75"	0.87"	1.75"	2.75"	3.00"	2.00"	(2X)1/4-NPT	27
MSP-1506-0625	MEYER	6.00"	1.75"	2.00"	12.37"	0.63"	1.62"	0.75"	1.56"	0.75"	2.12"	2.37"	1.50"	(1X)1/4-NPT	9
MSP-1510-0625	MEYER	10.00"	1.75"	2.00"	16.18"	0.63"	1.62"	0.75"	1.62"	0.75"	2.12"	2.37"	1.50"	(1X)1/4-NPT	14
MSP-1512-0625	MEYER	12.00"	1.75"	2.00"	18.00"	0.63"	1.62"	0.75"	1.43"	0.75"	2.12"	2.37"	1.50"	(1X)1/4-NPT	15
MSP-2012-0625	MEYER	12.00"	2.25"	2.5"	18.00"	0.63"	1.62"	0.75"	0.75"	0.75"	2.25"	3.00"	2.00"	(1X)1/4-NPT	24
WSP-1506-0750	WESTERN	6.00"	1.75"	2.00"	13.00"	0.76"	1.75"	0.68"	1.37"	0.68"	2.75"	2.37"	1.50"	(2X)1/4-NPT	11
WSP-1508-0750	WESTERN	8.00"	1.75"	2.00"	15.25"	0.76"	1.75"	0.68"	1.62"	0.68"	2.75"	2.37"	1.50"	(2X)1/4-NPT	12
WSP-1510-0750	WESTERN	10.00"	1.75"	2.00"	17.25"	0.76"	1.75"	0.68"	1.62"	0.68"	2.75"	2.37"	1.50"	(2X)1/4-NPT	14
WSP-1510-1000	WESTERN	10.00"	1.75"	2.00"	17.00"	1.01"	1.75"	0.75"	1.43"	0.75"	2.75"	2.35"	1.50"	(2X)1/4-NPT	14
WSP-2006-0750	WESTERN	6.00"	2.25"	2.50"	13.18"	0.76"	2.25"	0.75"	1.56"	0.75"	2.75"	3.00"	2.00"	(2X)1/4-NPT	18
WSP-2010-1000	WESTERN	10.00"	2.25"	2.50"	17.25"	1.01"	2.25"	0.75"	1.62"	0.75"	2.75"	3.00"	2.00"	(2X)1/4-NPT	22
WSP-2016-1000	WESTERN	16.00"	2.25"	2.50"	23.31"	1.01"	2.25"	0.75"	1.68"	0.75"	2.56"	3.00"	2.00"	(2X)1/4-NPT	31

SEAL TEMPERATURE RANGE: -30°C/+100°C (-22°F/+212°F)
 SEAL MAXIMUM SPEED: 3 FT/SEC
 CYLINDER WITH 1 PORT=PORT IN LINE WITH PIN HOLE
 RETRACTED AND STROKE TOLERANCE ±1/8"

Custom is not responsible for incorrect results obtained with figures in this document.
 Information is for reference only.No other conditions are expressed or implied.



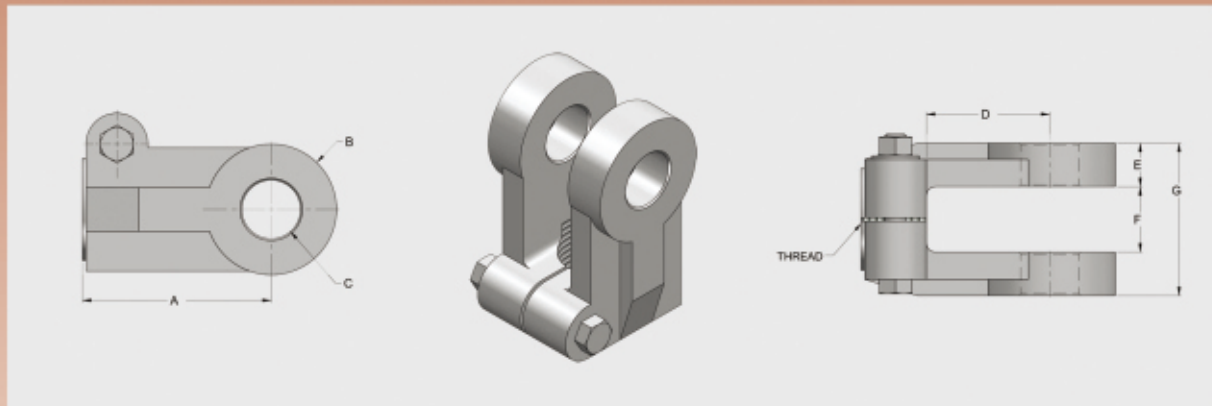


FEMALE CLEVIS

PAR NUMBER	A	B	C	D	E	F	G	MAXIMUM LOAD PUSH/PULL(lbs)
CL-100075-CLP	1.50"	0.76"	1.75"	1.37"	0.87"	0.37"	1.62"	5300
CL-125100-CLP	2.00"	1.01"	2.62"	2.12"	1.12"	0.50"	2.12"	22500
CL-175100-CLP	2.00"	1.01"	2.62"	2.12"	1.12"	0.62"	2.37"	28100
CL-200100-CLP	2.00"	1.01"	2.62"	2.00"	1.12"	0.62"	2.37"	28100
CL-250150-CLP	3.00"	1.51"	3.00"	2.25"	1.62"	0.75"	3.12"	50600

MATERIAL:C1045 CAST STEEL

MAXIMUM PUSHING & PULLING FORCE ARE BASED ON A SUGGESTED MINIMUM SAFETY FACTOR OF 2



ADJUSTABLE CLEVIS

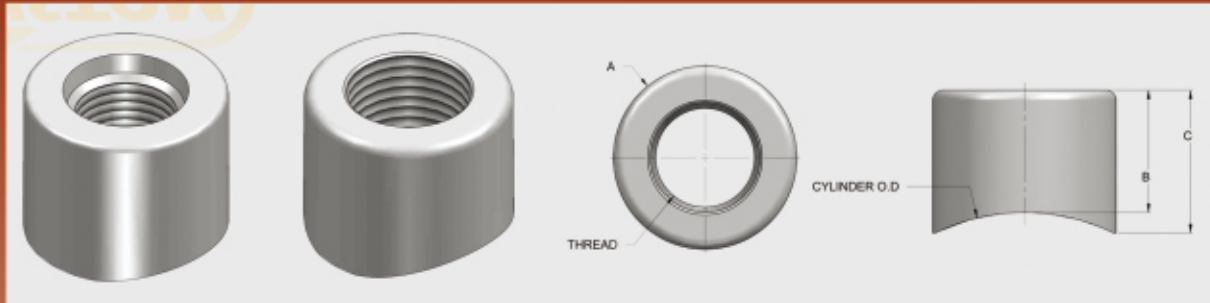
PART NUMBER	THREAD	A	B	C	D	E	F	G	MAXIMUM LOAD PUSH/PULL(lbs)
ST-0870718-CVP	0.875-14 UNF	2.75"	1.87"	0.76"	1.62"	0.56"	0.87"	2.00"	5300
ST-1121020-CVP	1.125-12 UNF	3.25"	2.00"	1.01"	2.12"	0.75"	1.12"	2.62"	23000
ST-1121022-CVP	1.125-12 UNF	3.25"	2.25"	1.01"	2.12"	0.75"	1.12"	2.62"	23000
ST-1121222-CVP	1.125-12 UNF	3.25"	2.25"	1.26"	2.12"	0.75"	1.12"	2.62"	23000
ST-1251022-CVP	1.250-12 UNF	3.25"	2.25"	1.01"	2.12"	0.75"	1.12"	2.62"	23000
ST-1311025-CVP	1.312-12 UN	3.25"	2.50"	1.01"	2.12"	0.81"	1.12"	2.75"	33700
ST-1311225-CVP	1.312-12UN	3.25"	2.50"	1.26"	2.12"	0.81"	1.12"	2.75"	33700
ST-1501025-CVP	1.500-12 UNF	3.25"	2.50"	1.01"	2.12"	0.81"	1.12"	2.75"	33700
ST-1501225-CVP	1.500-12 UNF	3.25"	2.50"	1.26"	2.12"	0.81"	1.12"	2.75"	33700
ST-1501226-CVP	1.500-12 UNF	3.62"	2.75"	1.26"	2.12"	1.06"	1.18"	3.31"	58900

MATERIAL:C1045 CAST STEEL

MAXIMUM PUSHING & PULLING FORCE ARE BASED ON A SUGGESTED MINIMUM SAFETY FACTOR OF 2

Custom is not responsible for incorrect results obtained with figures in this document. Information is for reference only.No other conditions are expressed or implied.

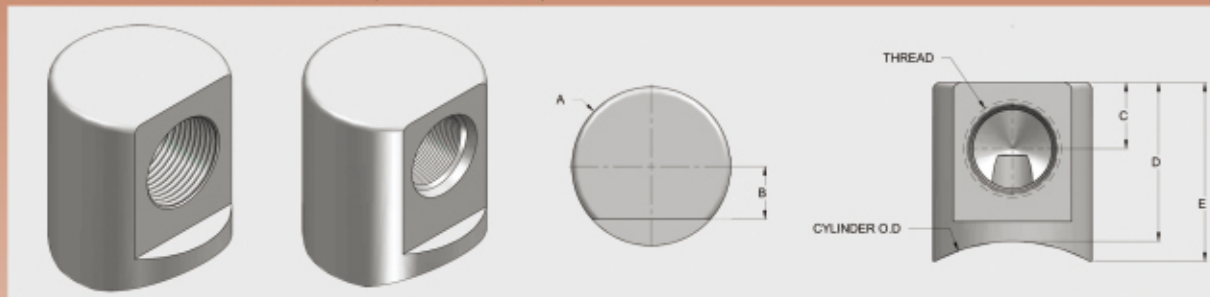
Cylinder Components



PORT NPT						PORT SAE					
PART NUMBER	CYLINDER O.D	THREAD	A	B	C	PART NUMBER	CYLINDER O.D	THREAD	A	B	C
025N-200062-POP	2.00"	1/4-18 NPT	0.87"	0.62"	0.68"	04S-200062-POP	2.00"	SAE #4	0.75"	0.62"	0.68"
037N-250075-POP	2.50"	3/8-18 NPT	1.12"	0.75"	0.87"	06S-250075-POP	2.50"	SAE #6	1.00"	0.75"	0.81"
050N-300087-POP	3.00"	1/2-14 NPT	1.25"	0.87"	0.93"	08S-300093-POP	3.00"	SAE #8	1.12"	0.93"	1.00"
050N-350087-POP	3.50"	1/2-14 NPT	1.25"	0.87"	0.93"	08S-350093-POP	3.50"	SAE #8	1.12"	0.93"	1.00"
050N-400087-POP	4.00"	1/2-14 NPT	1.25"	0.87"	0.93"	08S-400093-POP	4.00"	SAE #8	1.12"	0.93"	1.00"
050N-450087-POP	4.50"	1/2-14 NPT	1.25"	0.87"	0.93"	08S-450093-POP	4.50"	SAE #8	1.12"	0.93"	1.00"
075N-550100-POP	5.50"	3/4-14 NPT	1.37"	1.00"	1.06"	12S-550100-POP	5.50"	SAE #12	1.50"	1.00"	1.06"

MATERIAL:C1020

MAXIMUM OPERATING PRESSURE:3000 PSI(SAFETY FACTOR=2)

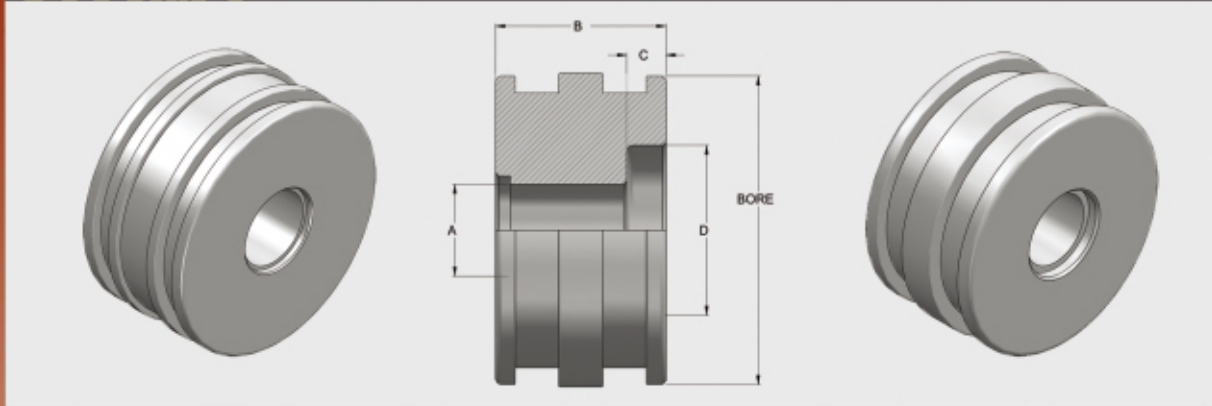


90° PORT							
PART NUMBER	CYLINDER O.D	THREAD	A	B	C	D	E
025N-200112-90POP	2.00"	1/4-18 NPT	1.12"	0.37"	0.43"	1.12"	1.25"
037N-250125-90POP	2.50"	3/8-18 NPT	1.25"	0.43"	0.50"	1.25"	1.37"
050N-300150-90POP	3.00"	1/2-14 NPT	1.62"	0.50"	0.62"	1.50"	1.68"
050N-350150-90POP	3.50"	1/2-14 NPT	1.62"	0.50"	0.62"	1.50"	1.62"
050N-400150-90POP	4.00"	1/2-14 NPT	1.62"	0.50"	0.62"	1.50"	1.62"
050N-450150-90POP	4.50"	1/2-14 NPT	1.62"	0.50"	0.62"	1.50"	1.62"
075N-550200-90POP	5.50"	3/4-14 NPT	2.12"	0.62"	0.87"	2.00"	2.18"
04S-200112-90POP	2.00"	SAE #4	1.12"	0.37"	0.43"	1.12"	1.25"
06S-250125-90POP	2.50"	SAE #6	1.25"	0.43"	0.50"	1.25"	1.37"
08S-300150-90POP	3.00"	SAE #8	1.62"	0.50"	0.62"	1.50"	1.68"
08S-350150-90POP	3.50"	SAE #8	1.62"	0.50"	0.62"	1.50"	1.62"
08S-400150-90POP	4.00"	SAE #8	1.62"	0.50"	0.62"	1.50"	1.62"
08S-450150-90POP	4.50"	SAE #8	1.62"	0.50"	0.62"	1.50"	1.62"
12S-550200-90POP	5.50"	SAE #12	2.12"	0.62"	0.81"	2.00"	2.18"

MATERIAL:C1020

MAXIMUM OPERATING PRESSURE:3000 PSI(SAFETY FACTOR=2)

Custom is not responsible for incorrect results obtained with figures in this document.
Information is for reference only.No other conditions are expressed or implied.

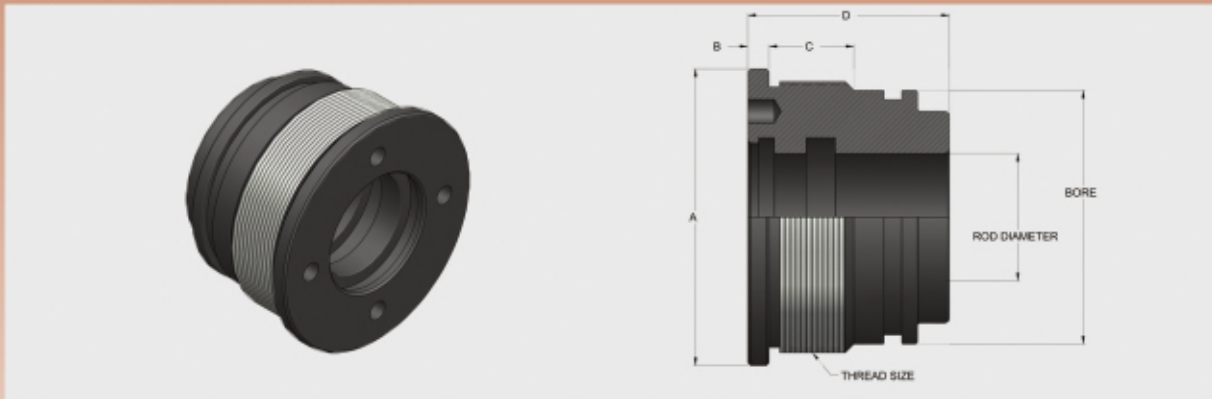


PISTON

PART NUMBER	SEAL KIT PART NUMBER	BORE	ROD DIAMETER	A	B	C	D
ST-15062-PIP	SK-BU-CL-PIP1500	1.50"	1.00"	0.62"	1.50"	NONE	NONE
ST-20075-PIP	SK-BU-CL-PIP2000	2.00"	1.25"	0.75"	1.50"	NONE	NONE
ST-25087-PIP	SK-BU-CL-PIP2500	2.50"	1.50"	0.87"	1.62"	0.37"	1.62"
ST-30087-PIP	SK-BU-CL-PIP3000	3.00"	1.50"	0.87"	1.62"	0.37"	1.62"
ST-35100-PIP	SK-BU-CL-PIP3500	3.50"	1.75"	1.00"	1.62"	0.43"	1.87"
ST-40125-PIP	SK-BU-CL-PIP4000	4.00"	2.00"	1.25"	1.75"	0.68"	2.62"
ST-50150-PIP	SK-BU-CL-PIP5000	5.00"	2.50"	1.50"	2.50"	0.62"	3.25"
ST-60200-PIP	SK-BU-CL-PIP6000	6.00"	3.00"	2.00"	2.50"	0.62"	3.62"

MATERIAL:65-45-12

PISTON FOR 5" & 6" BORE COME WITH A WEAR RING



GLAND

PART NUMBER	SEAL KIT PART NUMBER	BORE	ROD DIAMETER	A	B	C	D	THREAD SIZE
ST-15100-GLP	SK-BU-CL-GLP1500	1.50"	1.00"	2.00"	0.25"	0.75"	2.00"	1.700-12 UN
ST-20125-GLP	SK-BU-CL-GLP2000	2.00"	1.25"	2.50"	0.25"	0.87"	2.25"	2.200-12 UN
ST-25150-GLP	SK-BU-CL-GLP2500	2.50"	1.50"	3.00"	0.25"	1.00"	2.37"	2.700-12 UN
ST-30150-GLP	SK-BU-CL-GLP3000	3.00"	1.50"	3.50"	0.25"	1.00"	2.37"	3.200-12 UN
ST-35175-GLP	SK-BU-CL-GLP3500	3.50"	1.75"	4.00"	0.25"	1.00"	2.37"	3.700-12 UN
ST-40200-GLP	SK-BU-CL-GLP4000	4.00"	2.00"	4.50"	0.25"	1.00"	2.37"	4.200-12 UN
ST-50250-GLP	SK-BU-CL-GLP5000	5.00"	2.50"	5.50"	0.31"	1.37"	3.00"	5.200-12 UN
ST-60300-GLP	SK-BU-CL-GLP6000	6.00"	3.00"	6.75"	0.50"	1.56"	3.50"	6.250-12 UN

MATERIAL:65-45-12

GLAND FOR 5" & 6" BORE COME WITH A WEAR RING

Custom is not responsible for incorrect results obtained with figures in this document. Information is for reference only. No other conditions are expressed or implied.



BUSHING

PART NUMBER	A	B	C	THREAD	MAXIMUM PUSH(lbs)	MAXIMUM PULL(lbs)
BU-075200-BUP	1.25"	0.76"	2.00"	1/8-27NPT	5300	5300
BU-100225-BUP	1.50"	1.01"	2.25"	1/8-27NPT	21200	21200
BU-125225-BUP	2.00"	1.26"	2.25"	1/8-27NPT	29000	29000
BU-150250-BUP	2.25"	1.51"	2.50"	1/8-27NPT	37700	37700
BU-200325-BUP	3.00"	*2.01"	3.25"	1/8-27NPT	59000	50000

*BUSHING MODEL BU-200325-BUP COME WITH A SLEEVE TO PASS FROM 2"PIN TO 1-3/4"PIN
MAXIMUM PUSHING/PULLING FORCE ARE BASED ON A SUGGESTED MINIMUM SAFETY FACTOR OF 2
MATERIAL:C1020



END CAP BUSHING

PART NUMBER	BORE	A	B	C	D	E	F	THREAD	MAXIMUM PUSH(lbs)	MAXIMUM PULL(lbs)
BU-15075-CAP	1.50"	2.00"	2.25"	1.25"	0.76"	1.12"	0.12"	1/8-27NPT	5300	5300
BU-20100-CAP	2.00"	2.50"	2.75"	1.50"	1.01"	1.25"	0.12"	1/8-27NPT	9500	9500
BU-25100-CAP	2.50"	3.00"	3.25"	1.50"	1.01"	1.25"	0.12"	1/8-27NPT	14750	14750
BU-30100-CAP	3.00"	3.50"	3.75"	1.50"	1.01"	1.25"	0.12"	1/8-27NPT	21200	21200
BU-35125-CAP	3.50"	4.00"	4.25"	2.00"	1.26"	1.50"	0.12"	1/8-27NPT	29000	29000
BU-40150-CAP	4.00"	4.50"	4.75"	2.25"	1.51"	1.62"	0.12"	1/8-27NPT	37700	37700
BU-50200-CAP	5.00"	5.50"	5.75"	3.00"	*2.01"	2.25"	0.25"	1/8-27NPT	59000	50000

*END CAP BUSHING MODEL BU-50200-CAP COME WITH A SLEEVE TO PASS FROM 2"PIN TO 1-3/4" PIN
MAXIMUM PUSHING/PULLING FORCE ARE BASED ON A SUGGESTED MINIMUM SAFETY FACTOR OF 2
MATERIAL:C1045 CAST STEEL

Custom is not responsible for incorrect results obtained with figures in this document.
Information is for reference only.No other conditions are expressed or implied.

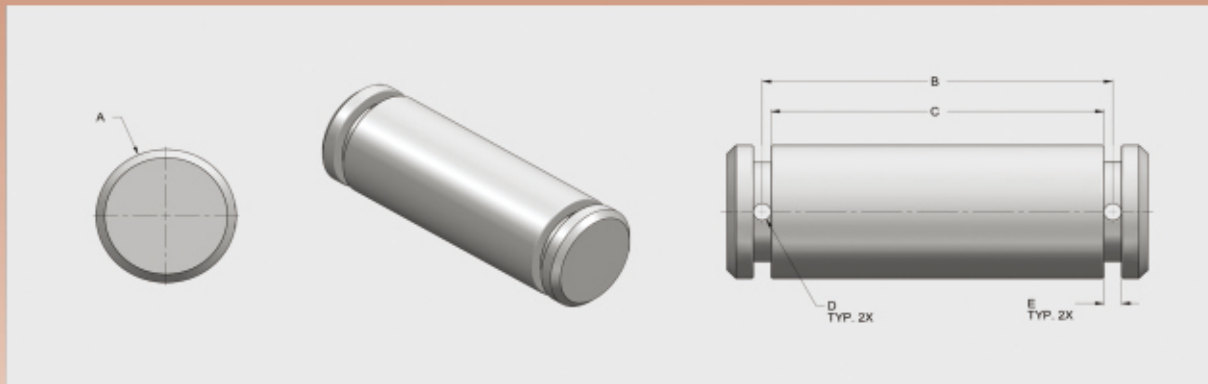
Cylinder Components



END CAP CLEVIS													
PART NUMBER	BORE	A	B	C	D	E	F	G	H	I	J	MAXIMUM PUSH(lbs)	MAXIMUM PULL(lbs)
CL-15075-CAP	1.50"	1.62"	0.87"	0.37"	2.00"	1.50"	0.76"	1.87"	none	1.37"	0.12"	5300	5300
CL-20100-CAP	2.00"	2.12"	1.12"	0.50"	2.50"	2.00"	1.01"	2.62"	none	2.12"	0.12"	9500	9500
CL-25100-CAP	2.50"	2.12"	1.12"	0.50"	3.00"	2.00"	1.01"	2.62"	none	2.12"	0.12"	14750	14750
CL-30100-CAP	3.00"	2.12"	1.12"	0.62"	3.50"	2.00"	1.01"	2.62"	none	2.12"	0.12"	22500	22500
CL-35100-CAP	3.50"	2.37"	1.12"	0.62"	4.00"	2.00"	1.01"	2.62"	2.12"	2.00"	0.12"	28100	28100
CL-40100-CAP	4.00"	2.37"	1.12"	0.62"	4.50"	2.00"	1.01"	2.50"	2.00"	1.75"	0.12"	28100	28100
CL-50150-CAP	5.00"	3.12"	1.62"	0.75"	5.50"	3.00"	1.51"	3.12"	none	2.25"	0.25"	50600	50600

MATERIAL: C1045 CAST STEEL

MAXIMUM PUSHING/PULLING FORCE ARE BASED ON A SUGGESTED MINIMUM SAFETY FACTOR OF 2



PIN						
PART NUMBER	A	B	C	D	E	MAXIMUM LOAD PUSH/PULL(LBS)
075175-PNP	0.75"	1.87"	1.75"	0.12"	0.12"	15750
075212-PNP	0.75"	2.25"	2.12"	0.12"	0.12"	15750
100237-PNP	1.00"	2.50"	2.37"	0.12"	0.12"	28100
100262-PNP	1.00"	2.75"	2.62"	0.12"	0.12"	28100
100275-PNP	1.00"	2.87"	2.75"	0.12"	0.12"	28100
100287-PNP	1.00"	3.00"	2.87"	0.12"	0.12"	28100
125350-PNP	1.25"	3.62"	3.50"	0.12"	0.12"	50550
150337-PNP	1.50"	3.56"	3.37"	0.18"	0.18"	63100

MATERIAL: C1045 Zinc Plated

MAXIMUM PUSHING/PULLING FORCE ARE BASED ON A SUGGESTED MINIMUM SAFETY FACTOR OF 2

Custom is not responsible for incorrect results obtained with figures in this document.

Information is for reference only. No other conditions are expressed or implied.



Seal Kits

BU SERIES	
KIT NUMBER	DESCRIPTION
SK-BU-CL151000	1-1/2"BORE&1"ROD
SK-BU-CL201250	2"BORE&1-1/4"ROD
SK-BU-CL251500	2-1/2"BORE&1-1/2"ROD
SK-BU-CL351750	3-1/2"BORE&1-3/4"ROD
SK-BU-CL351750	3-1/2"BORE&1-3/4"ROD
SK-BU-CL402000	4"BORE&2"ROD
SK-BU-CL502500	5"BORE&2-1/2"ROD

CL SERIES	
KIT NUMBER	DESCRIPTION
SK-BU-CL151000	1-1/2"BORE&1"ROD
SK-BU-CL201250	2"BORE&1-1/4"ROD
SK-BU-CL251500	2-1/2"BORE&1-1/2"ROD
SK-BU-CL351750	3"BORE&1-1/2"ROD
SK-BU-CL351750	3-1/2"BORE&1-3/4"ROD
SK-BU-CL402000	4"BORE&2"ROD
SK-BU-CL502500	5"BORE&2-1/2"ROD

WT3 SERIES	
KIT NUMBER	DESCRIPTION
SK-WT3-151000	1-1/2"BORE&1"ROD
SK-WT3-201125	2"BORE&1-1/4"ROD
SK-WT3-251250	2-1/2"BORE&1-3/8"ROD
SK-WT3-301500	3"BORE&1-1/2"ROD
SK-WT3-351750	3-1/2"BORE&1-3/4"ROD
SK-WT3-402000	4"BORE&2"ROD

CL SERIES	
KIT NUMBER	DESCRIPTION
SK-TCL-151000	1-1/2"BORE&1"ROD
SK-TCL-201125	2"BORE&1-1/8"ROD
SK-TCL-251250	2-1/2"BORE&1-1/2"ROD
SK-TCL-301500	3"BORE&1-1/2"ROD
SK-TCL-351750	3-1/2"BORE&1-3/4"ROD
SK-TCL-402000	4"BORE&2"ROD

TR2.5 SERIES	
KIT NUMBER	DESCRIPTION
SK-TR2.5-201125	2"BORE&1-1/8"ROD
SK-TR2.5-251125	2-1/2"BORE&1-1/8"ROD
SK-TR2.5-251250	2-1/2"BORE&1-1/4"ROD
SK-TR2.5-301250	3"BORE&1-1/4"ROD
SK-TR2.5-301500	3"BORE&1-1/2"ROD
SK-TR2.5-351250	3-1/2"BORE&1-1/4"ROD
SK-TR2.5-351500	3-1/2"BORE&1-1/2"ROD
SK-TR2.5-401250	4"BORE&1-1/4"ROD
SK-TR2.5-401500	4"BORE&1-1/2"ROD
SK-TR2.5-401750	4"BORE&1-3/4"ROD
SK-TR2.5-402000	4"BORE&2"ROD

TR3 SERIES	
KIT NUMBER	DESCRIPTION
SK-TR3-201125	2"BORE&1-1/8"ROD
SK-TR3-251250	2-1/2"BORE&1-1/4"ROD
SK-TR3-301375	3"BORE&1-3/8"ROD
SK-TR3-351375	3-1/2"BORE&1-3/8"ROD
SK-TR3-401750	4"BORE&1-3/4"ROD
SK-TR3-502000	5"BORE&2"ROD

Custom is not responsible for incorrect results obtained with figures in this document.
Information is for reference only.No other conditions are expressed or implied.



Fuxin Customized Hydraulic Co., Ltd.



Proud member of
China Hydraulic Pneumatic and Seals Association





阜新凯斯特姆液压机械有限公司

Fuxin Customized Hydraulic Co., Ltd.

地址：辽宁省阜新市经济开发区盛明路32-2号

NO.32-2 Shengming Road, Economic Development Zone, Fuxin, Liaoning

电话 (TEL) : +86 0418-6081888

传真 (FAX) : +86 0418-6081885

邮箱 (E-mail) : wjs@fxkstm.com

网址 (Website) : www.fxkstm.com